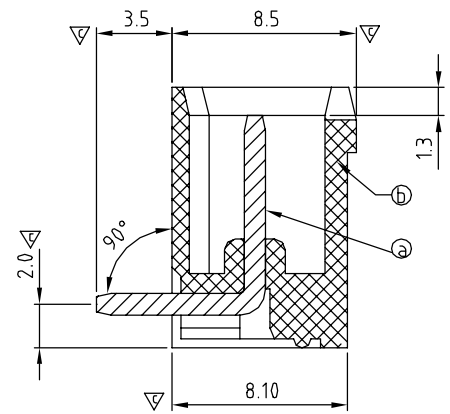
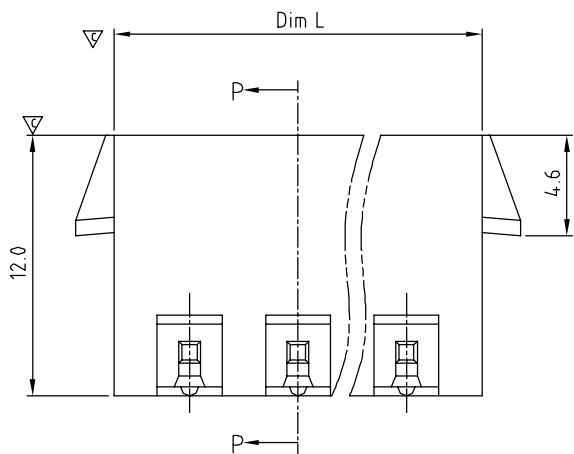


RECOMMENDED PCB LAYOUT



SECTION P-P

Dimension  
 Dim L =  $N \times 5.0 + 2.0$   
 Dim B =  $(N - 1) \times 5.0$   
 Dim C =  $(N - 1) \times 5.0$   
 N = Number of poles

Poles	Tolerance
2p-6p	$\pm 0.15$
7p-12p	$\pm 0.20$
13p-18p	$\pm 0.30$
19p-24p	$\pm 0.40$

SIGN	DATE	DESCRIPTION	APPROVER
△			
△			
△			

THIS IS CAD DRAWING, DO NOT REVISE MANUALLY!!!

- Material:
- Item ① Male contact pin: Copper Tin plated
  - Item ② Terminal(housing): Thermoplastic (UL94V-0)
- Electrical: cULus /VDE /TUV
- Voltage rating: 300V/300V/300V
  - Current rating: 20A/20A/20A
  - Withstanding Voltage: 1.6 KV/2.5KV/2.5KV
  - Operating temperature: -40°C to +115°C
  - Soldering temperature: 250°C $\pm$ 10°C/5 Sec
  - Safety Approval:
  - Critical dimension: ▽

OQ xx 7 1 x 1 xxxx G

- No. OF POLES
- 02: 2 POLES
  - ...
  - 24: 24 POLES
- COLOR
- 0 Black (RAL9005)
  - 2 Red (RAL3001/D)
  - 3 Orange(RAL2011/P)
  - 4 Yellow(RAL1018/A)
  - 5 Green(RAL6018/T)
  - 6 Blue (RAL5015/A)
  - 8 Grey(RAL7035/D)
  - 9 White(RAL1102)
  - C Green(RAL6018/U)
- G: Pb<4000ppm
- 0300: "@ " Logo (Standard)
  - 030A: "ANYTEK" Mark
- Any special item by customer request. please contact sales department.

**ANYTEK**

**CUSTOMER COPY**

ALL RIGHTS RESERVED. REPRODUCTION OR ISSUE TO THIRD PARTIES IN ANY FORM WHATSOEVER IS NOT PERMITTED WITHOUT WRITTEN AUTHORITY FROM THE PROPRIETOR. PROPERTY OF ANYTEK TECHNOLOGY CO., LTD

TITLE		OQ 5.0mm 90° Series 2P-24P ( With latch holder )				
PART NO.	OQxx71x10300G/AG	DWG NO.	80Q0541			
APPROVED	CHECKED	DESIGNED	DRAWN	CUST NO.	Tolerance	
		Aaron 2011.03.25	Aaron 2011.03.25		UNIT: mm	X. ±0.50
					SCALE: NONE	X.X ±0.30
					SHEET: 01/01	X.XX ±0.10
					REV.: B	X° ±1°