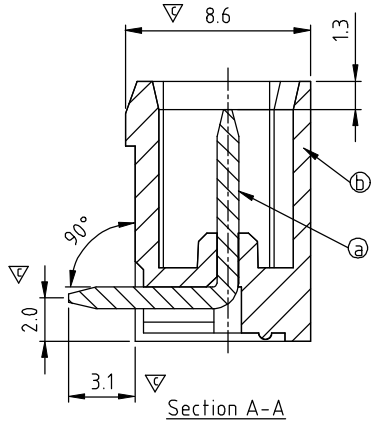
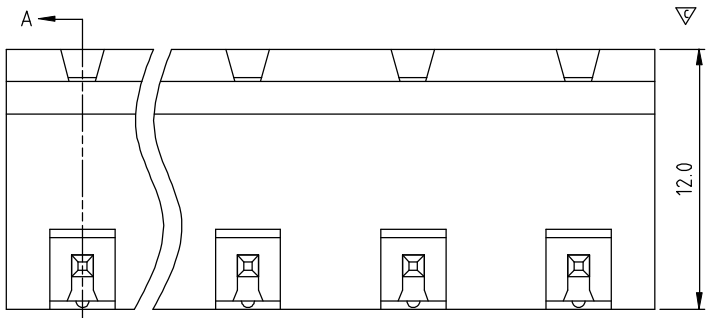
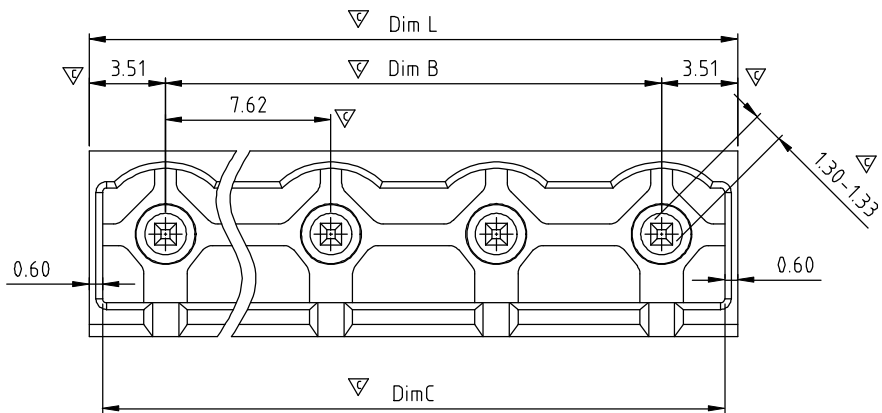


SIGN	DATE	DESCRIPTION	APPROVER
△			
THIS IS CAD DRAWING, DO NOT REVISE MANUALLY!!!			



- Material:
- Item (a) Male contact pin: Copper, Tin plated
  - Item (b) Terminal(housing): Thermoplastic (UL94V-0)

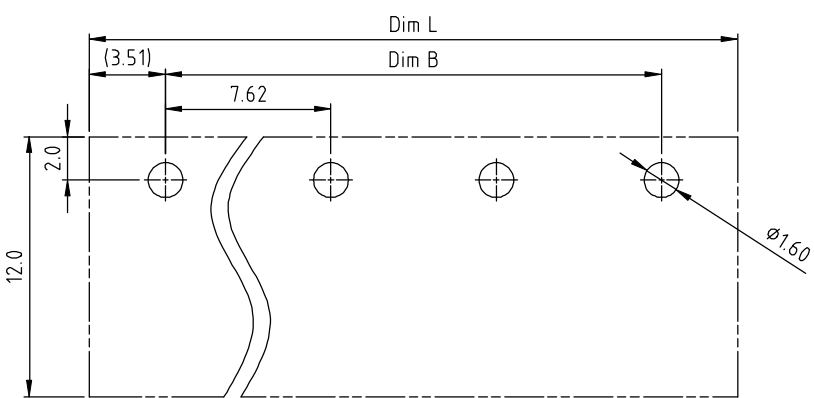
- Electrical:
- |                          |                 |      |
|--------------------------|-----------------|------|
|                          | cULus           | TUV  |
| ● Voltage rating:        | 300V            | 750V |
| ● Current rating:        | 20A             | 15A  |
| ● Withstanding Voltage:  | 1.6 KV          | 6KV  |
| ● Operating temperature: | -40°C to +115°C |      |
| ● Soldering temperature: | 260°C±5°C/5 Sec |      |
| ● Safety Approval:       | cULus           | TUV  |
| ● Critical dimension:    | ▽               |      |

**OQ xx 0 1 x 1 Fxxx G**

No. OF POLES  
02: 2 POLES  
:  
16: 16 POLES

- G RoHS compliant (lead=4%) In copper Alloy
- F000: "@" Logo (Standard)
- F00A: "ANYTEK" Mark
- Any special item by customer request. please contact sales department.

- COLOR
- 0 Black (RAL9005)
  - 2 Red (RAL3001/D)
  - 3 Orange(RAL2011/P)
  - 4 Yellow(RAL1018/A)
  - 5 Green(RAL6018/T)
  - 6 Blue (RAL5015/A)
  - 8 Grey(RAL7035/D)
  - 9 White(RAL1102)
  - C Green(RAL6018/U)



RECOMMENDED P.C.B LAYOUT  
TOP VIEW

DIMENSION

DimL	Nx7.62-0.60
DimB	(N-1)x7.62
DimC	(N-1)x7.62+5.82

N= Number of poles

Poles	Tolerance
2P-6P	±0.20
7P-12P	±0.30
13P-16P	±0.40

<b>ANYTEK</b>				<b>INSPECTION COPY</b>			
ALL RIGHTS RESERVED. REPRODUCTION OR ISSUE TO THIRD PARTIES IN ANY FORM WHATSOEVER IS NOT PERMITTED WITHOUT WRITTEN AUTHORITY FROM THE PROPRIETOR. PROPERTY OF ANYTEK TECHNOLOGY CO., LTD							
TITLE		OQ 7.62 mm Series 反向折彎					
PART NO.				DWG NO.		OQ0375	
APPROVED		CHECKED	DESIGNED	DRAWN	CUST NO.		Tolerance
			Evan 01/06`15	Evan 01/06`15			X. ±0.50
					UNIT: mm		X.X ±0.30
					SCALE: NONE		X.XX ±0.10
					SHEET: 01/01		X° ±1°
					REV.: B		