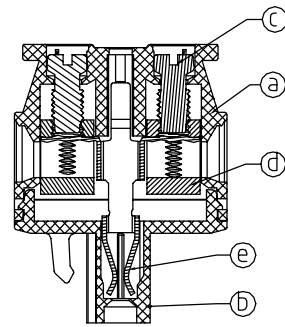
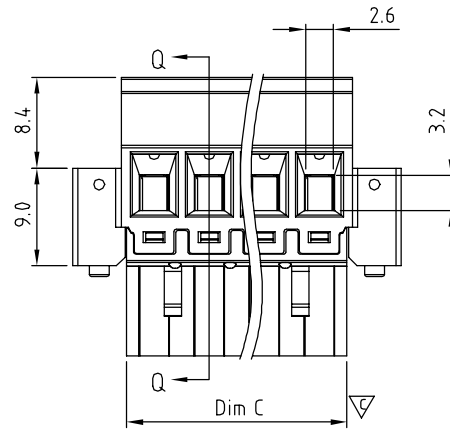
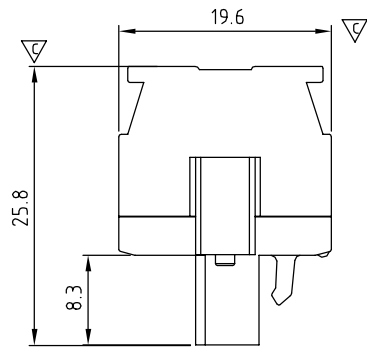
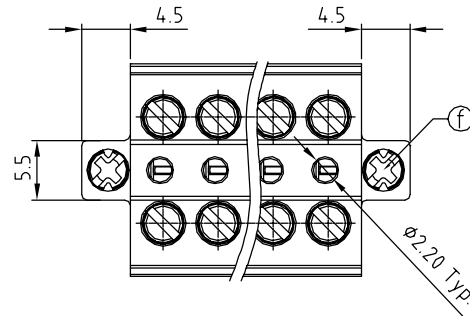
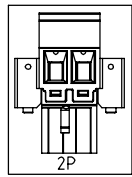


SIGN	DATE	DESCRIPTION	APPROVER
△			
THIS IS CAD DRAWING, DO NOT REVISE MANUALLY!!!			



SECTION Q-Q

**Material**

- Item Ⓐ Terminal up housing: Thermoplastic ( UL94V-0 )
- Item Ⓓ Terminal down housing: Thermoplastic ( UL94V-0 )
- Item Ⓒ Terminal screw: Steel, Zinc plating "-" slot type
- Item Ⓔ Clamp: Brass, Ni plated
- Item Ⓔ Male contact pin: PhBz ,Tin plated
- Item Ⓕ With flange screw : Steel M2.5 "+/-" slot type Zinc plating

**Electrical**

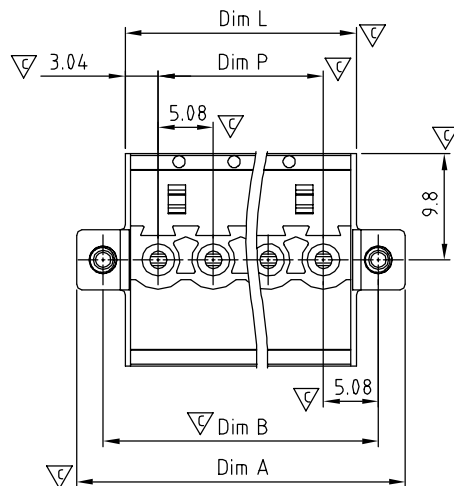
- Voltage rating: 300V
- Current rating: 12A
- Solid wire (AWG) : 12-24
- Stranded wire (AWG) : 12-24
- Torque (Lb-In) : 4.3
- Screw: M3
- Wire strip length: 6-7mm
- Withstanding Voltage: 1.6KV
- Operating temperature: -40°C to +115°C
- Critical dimension: ▽

**K5 xx 51 x 1 xxxx G**

- No. OF POLES
  - 02 2 CONTACTS
  - 03 3 CONTACTS
  - ... ..
  - 24 24 CONTACTS
- Color
  - 0 Black (RAL9005)
  - 2 Red (RAL3001/D)
  - 3 Orange(RAL2011/P)
  - 4 Yellow(RAL1018/A)
  - 5 Green(RAL6018/T)
  - 6 Blue (RAL5015/A)
  - 8 Grey(RAL7035/D)
  - C Green(RAL 6018/U)
- G: Pb<40000ppm
- 0000: "@" Logo (Standard)
- 000A: "ANYTEK" Mark
- Any special item by customer request. please contact sales department.

N=NUMBER OF POLES

Dim L	N×5.08+1.0
Dim P	(N-1)×5.08
Dim A	N×5.08+10.0
Dim B	(N+1)×5.08
Dim C	N×5.08



	TOL			
	2P-6P	7P-12P	13P-18P	19P-24P
Dim L	±0.15	±0.25	±0.35	±0.40
Dim P	±0.15	±0.25	±0.35	±0.40
Dim A	±0.15	±0.25	±0.35	±0.40
Dim B	±0.15	±0.25	±0.35	±0.40
Dim C	±0.15	±0.25	±0.35	±0.40

<b>ANYTEK</b>				<b>CUSTOMER COPY</b>															
ALL RIGHTS RESERVED. REPRODUCTION OR ISSUE TO THIRD PARTIES IN ANY FORM WHATSOEVER IS NOT PERMITTED WITHOUT WRITTEN AUTHORITY FROM THE PROPRIETOR. PROPERTY OF ANYTEK TECHNOLOGY CO., LTD																			
TITLE	K5 - 5.08 Series 2P-24P "-" screw ( With flange )																		
PART NO.	K5xx51x1xxxxG			DWG NO.	8K50002														
APPROVED	CHECKED	DESIGNED	DRAWN	CUST NO.	Tolerance														
		Aaron 2011.09.22	Aaron 2011.09.22		<table border="1" style="font-size: x-small;"> <tr> <td>UNIT: mm</td> <td>X.</td> <td>±0.50</td> </tr> <tr> <td>SCALE: NONE</td> <td>X.X</td> <td>±0.30</td> </tr> <tr> <td></td> <td>X.XX</td> <td>±0.10</td> </tr> <tr> <td></td> <td>X°</td> <td>±1°</td> </tr> </table>			UNIT: mm	X.	±0.50	SCALE: NONE	X.X	±0.30		X.XX	±0.10		X°	±1°
UNIT: mm	X.	±0.50																	
SCALE: NONE	X.X	±0.30																	
	X.XX	±0.10																	
	X°	±1°																	
				SHEET: 01/01	REV.: B														