

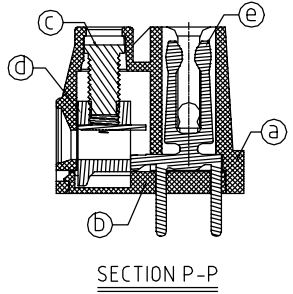
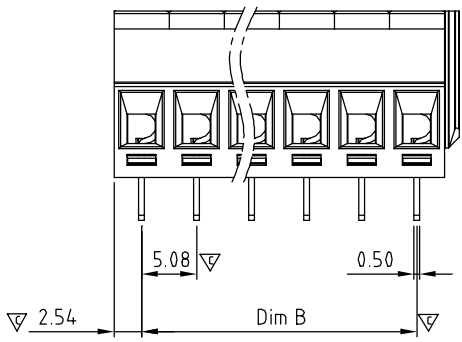
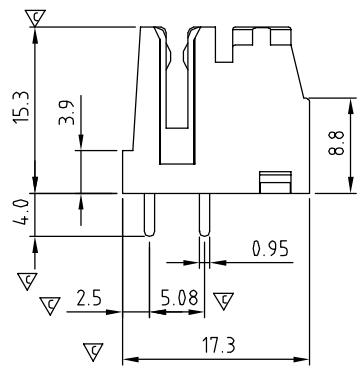
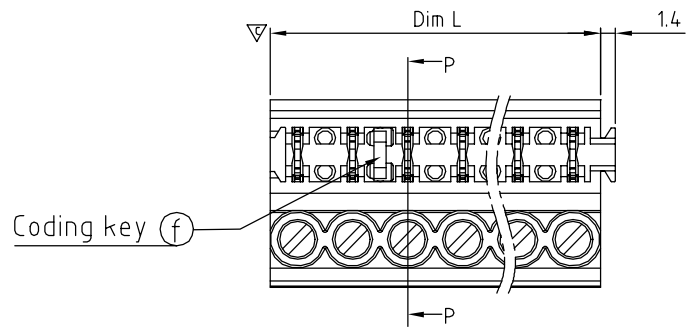
SIGN	DATE	DESCRIPTION	APPROVER
△			
THIS IS CAD DRAWING, DO NOT REVISE MANUALLY!!!			

Material

- Item a Terminal body: Thermoplastic (UL94V-0)
- Item b Terminal cover: Thermoplastic (UL94V-0)
- Item c Terminal screw: Steel Zinc plating "-" slot type
- Item d Clamp: Zinc alloy, Ni plated
- Item e Male contact pin: PhBz, Tin plated
- Item f Coding key: PC, Yellow

Electrical

- Voltage rating: 300VAC
- Current rating: 10A
- Solid wire: 14-24 AWG
- Stranded wire: 14-24AWG
- Torque: 4.5 Lb-In
- Screw: M3
- Wire strip length: 6-7mm
- Withstanding Voltage: 1.6KV
- Operating temperature: -40°C to +115°C
- Critical dimension: ▽



K4 xx 53 x 2 xxxx G

- No. OF POLES: 03 3 CONTACTS, 04 4 CONTACTS,, 24 24 CONTACTS
- Color: 0 Black (RAL9005), 2 Red (RAL3001/D), 3 Orange (RAL2011/P), 4 Yellow (RAL1018/A), 5 Green (RAL6018/T), 6 Blue (RAL5015/A), 8 Grey (RAL7035/D), 9 White (RAL1102), C Green (RAL6018/U)
- G: Pb < 40000ppm
- 0000: "@" Logo (Standard)
- 000A: "ANYTEK" Mark
- Any special item by customer request. please contact sales department.

N = Number of poles
 Dim L = N x 5.08
 Dim B = (N - 1) x 5.08

Poles	Tolerance
3P-6P	±0.15
7P-12P	±0.25
13P-18P	±0.35
19P-24P	±0.40

ANYTEK				CUSTOMER COPY			
ALL RIGHTS RESERVED. REPRODUCTION OR ISSUE TO THIRD PARTIES IN ANY FORM WHATSOEVER IS NOT PERMITTED WITHOUT WRITTEN AUTHORITY FROM THE PROPRIETOR. PROPERTY OF ANYTEK TECHNOLOGY CO., LTD							
TITLE	K4 5.08 Series 3P-24P Open type			DWG NO.	8K40002		
PART NO.	K4xx53x2xxxxG			CUST NO.			
APPROVED	CHECKED	DESIGNED	DRAWN	Tolerance			
		Aaron 2011.06.08	Aaron 2011.06.08			UNIT: mm	X. ±0.50
				SHEET: 01/01		SCALE: NONE	X.X ±0.30
				REV.: B			X.XX ±0.10
				REV.: B			X° ±1°