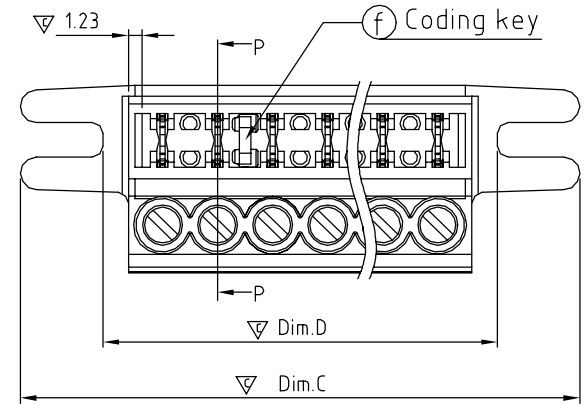


SIGN	DATE	DESCRIPTION	APPROVER
△	2011.08.19	The position of dimension is changed.	Aaron
△	2011.08.19	The Tolerance is changed.	Aaron

THIS IS CAD DRAWING, DO NOT REVISE MANUALLY!!!

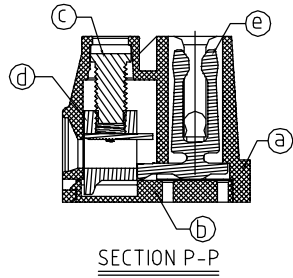
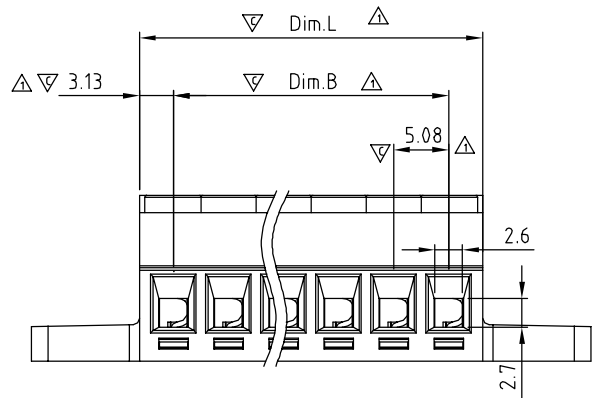


Material

- Item a Terminal body:Thermoplastic (UL94V-0)
- Item b Terminal cover:Thermoplastic (UL94V-0)
- Item c Terminal screw:Steel Zinc plating "-" slot type
- Item d Clamp:Zinc alloy, Ni plated
- Item e Male contact pin:PhBz ,Tin plated
- Item f Coding key :PC ,Yellow

Electrical

- Voltage rating: 300VAC
- Current rating: 10A
- Solid wire: 14-24 AWG
- Stranded wire: 14-24AWG
- Torque: 4.5 Lb-In
- Screw: M3
- Wire strip length: 6-7mm
- Withstanding Voltage: 1.6KV
- Operating temperature: -40°C to +115°C
- Critical dimension: ∇

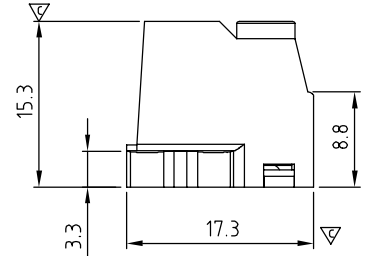


K4 xx 53 x 0 xxxx G

- No. OF POLES
- 03 3 CONTACTS
 - 04 4 CONTACTS
 -
 - 24 24 CONTACTS

- Color
- 0 Black (RAL9005)
 - 2 Red (RAL3001/D)
 - 3 Orange (RAL2011/P)
 - 4 Yellow (RAL1018/A)
 - 5 Green (RAL6018/T)
 - 6 Blue (RAL5015/A)
 - 8 Grey (RAL7035/D)
 - 9 White (RAL1102)
 - C Green (RAL6018/U)

G: Pb<40000ppm
 0000: "@" Logo (Standard)
 000A: "ANYTEK" Mark
 Any special item by customer request. please contact sales department.



Dim.L	(N-1) × 5.08+6.26
Dim.B	(N-1) × 5.08
Dim.C	(N-1) × 5.08+26.20
Dim.D	(N-1) × 5.08+11.0

Poles	Dim L & B Tol	DimC & D Tol
3p-6p	±0.15	±0.30
7p-12p	±0.25	±0.50
13p-18p	±0.35	±0.60
19p-24p	±0.40	±0.80

ANYTEK				CUSTOMER COPY			
TITLE		K4 5.08 Series 3P-24P Close type					
PART NO.		K4xx53x0xxxxG		DWG NO.		8K40001	
APPROVED		CHECKED		DESIGNED		DRAWN	
		Aaron 2011.08.19		Aaron 2011.06.08		CUST NO.	
				SHEET: 01/01		Tolerance	
				UNIT: mm		X. ±0.50	
				SCALE: NONE		X.X ±0.30	
				REV.: C		X.XX ±0.10	
						X° ±1°	