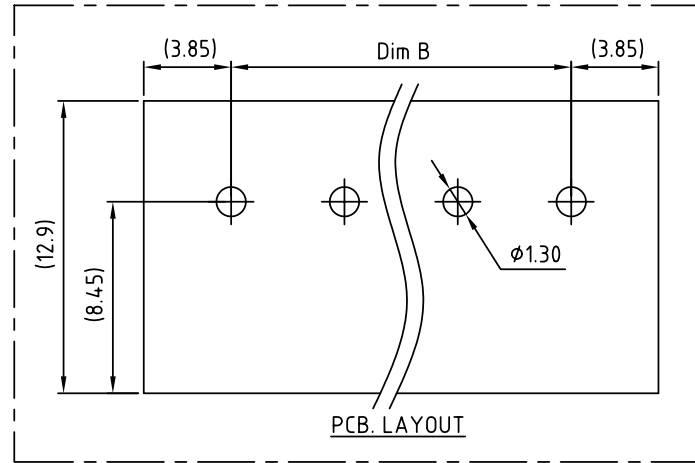
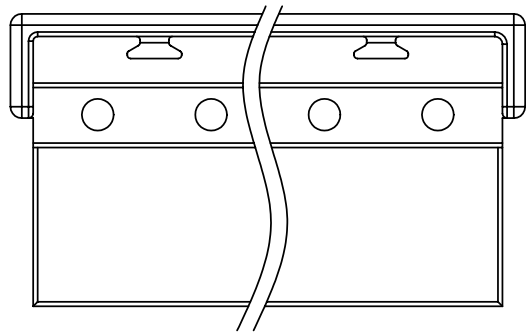


SIGN	DATE	DESCRIPTION	APPROVER
△			

THIS IS CAD DRAWING, DO NOT REVISE MANUALLY!!!

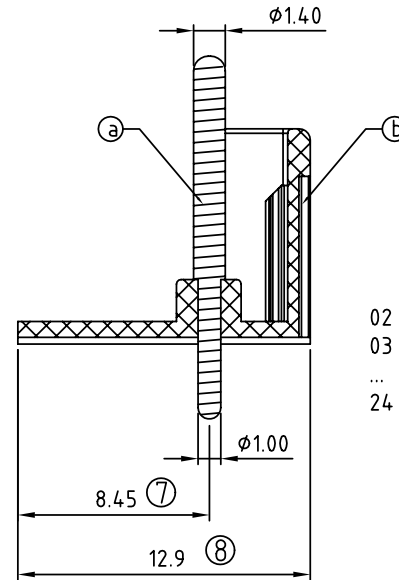
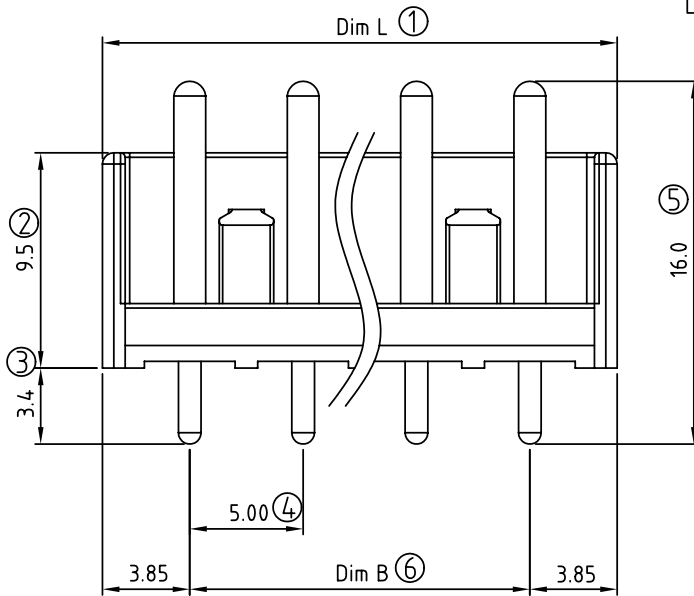


Material

- Item (a) Solid pin: Brass(CuZn), Tin or Au plated.
- Item (b) Terminal (housing): Thermoplastic (UL 94V-0)

Electrical

- Voltage rating: 300V
- Current rating: 10A
- Withstanding Voltage: 1.6KV
- Operating temperature: -40°C to +115°C
- Soldering temperature: 250°C±10°C/5 Sec
- Safety Approval: us



EX xx 0 x x 2 Axxx G

02 2 CONTACTS
03 3 CONTACTS
... ..
24 24 CONTACTS

0 Tin plating
1 G/F plating

Pb < 40,000ppm (RoHS)

A00 0 "0" Standard
A00 A "ANY" Standard
Any special item by customer request, please contact sales department.

0 Black (RAL9005)
2 Red (RAL3001/D)
3 Orange(RAL2011/P)
4 Yellow(RAL1018/A)
5 Green(RAL6018/T)
6 Blue (RAL5015/A)
8 Grey(RAL7035/D)

Poles	02	03	04	05	06	07	08	09	10	11	12	13
Dim L	12.7	17.7	22.7	27.7	32.7	37.7	42.7	47.7	52.7	57.7	62.7	67.7
Dim B	5.00	10.00	15.00	20.00	25.00	30.00	35.00	40.00	45.00	50.00	55.00	60.00
TOL	±0.15					±0.25					±0.30	
Poles	14	15	16	17	18	19	20	21	22	23	24	
Dim L	72.7	77.7	82.7	87.7	92.7	97.7	102.7	107.7	112.7	117.7	122.7	
Dim B	65.00	70.00	75.00	80.00	85.00	90.00	95.00	100.0	105.0	110.0	115.0	
TOL	±0.30					±0.40						

ANYTEK				CUSTOMER COPY			
ALL RIGHTS RESERVED. REPRODUCTION OR ISSUE TO THIRD PARTIES IN ANY FORM WHATSOEVER IS NOT PERMITTED WITHOUT WRITTEN AUTHORITY FROM THE PROPRIETOR. PROPERTY OF ANYTEK TECHNOLOGY CO., LTD							
TITLE		EX 5.0 Series 2P-24P $\phi 1.40$ L=16.0mm (Match EO Heightening type)					
PART NO.		EXxx0xx2AxxxG			DWG NO.		8EX0005
APPROVED		CHECKED	DESIGNED	DRAWN	CUST NO.		Tolerance
			Jacke	Jacke			X. ±0.50
			2010.04.14	2010.04.01			X.X ±0.30
					UNIT: mm		X.XX ±0.10
					SCALE: NONE		X° ±1°
					SHEET: 01/01		REV.: B