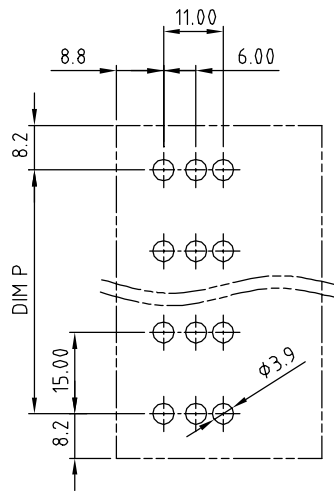
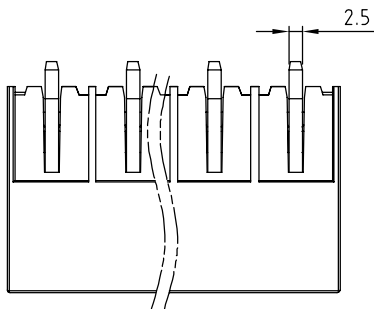


SIGN	DATE	DESCRIPTION	APPROVER
△			
THIS IS CAD DRAWING, DO NOT REVISE MANUALLY!!!			

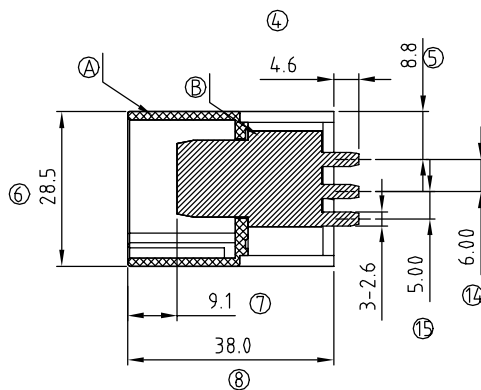
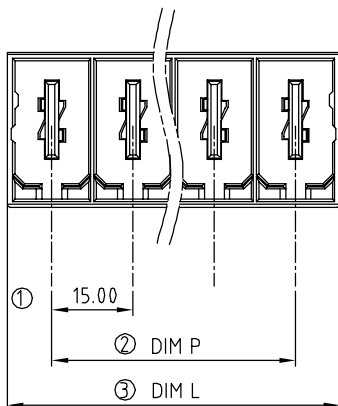


Material:

- Item (A) Terminal housing: PBT (UL94V-0)
- Item (B) Male contact : Copper. Gold plated.
- Item (C) With flange nut: Steel zinc plated.

Electrical:

- Voltage rating: 600 V
- Current rating: 115 A
- Withstanding Voltage: 2.2 KV
- Operating temperature: -40°C to +115°C
- Soldering temperature: 250°C±10°C/5 Sec



KU xx C 0 x 0 xxxx G

No. OF POLES  
02: 2 POLES  
:  
10: 10 POLES

COLOR

- 0: BLACK
- 5: GREEN (RAL 6018/T)
- 6: BLUE
- 8: GREY (RAL 7035/D)

G: Pb<40000ppm  
0000: "@" Logo (Standard)  
000A: "ANYTEK" Mark  
Any special item by customer request.  
please contact sales department.

<b>ANYTEK</b>				<b>CUSTOMER COPY</b>	
ALL RIGHTS RESERVED. REPRODUCTION OR ISSUE TO THIRD PARTIES IN ANY FORM WHATSOEVER IS NOT PERMITTED WITHOUT WRITTEN AUTHORITY FROM THE PROPRIETOR. PROPERTY OF ANYTEK TECHNOLOGY CO., LTD					
TITLE		KU 15.0mm Body Series (Vertical) without flange 2P-10P			
PART NO.		KUxxC0x0xxxxG		DWG NO. 8KU0006	
APPROVED		CHECKED	DESIGNED	DRAWN	CUST NO.
			Runner 2011.04.25	Runner 2010.05.24	
				Tolerance	
				X. ±0.50	
				X.X ±0.30	
				X.XX ±0.10	
				X° ±1°	
				SHEET: 01/01	
				UNIT: mm	
				SCALE: NONE	
				REV.: B	

POLE		2	3	4	5	6	7	8	9	10
Dim.L		31.4	46.4	61.4	76.4	91.4	106.4	121.4	136.4	151.4
Dim.P		15.0	30.0	45.0	60.0	75.0	90.0	105.0	120.0	135.0
Tol.		±0.20			±0.35			±0.50		