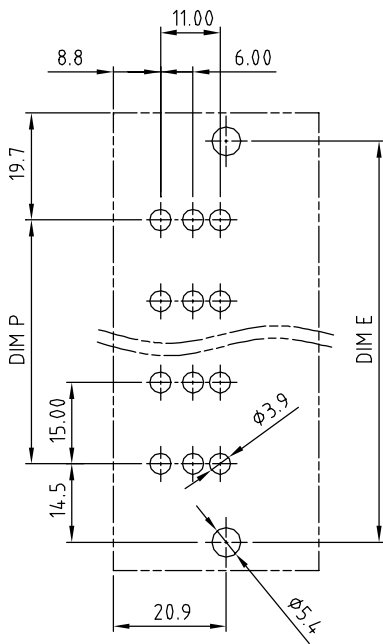
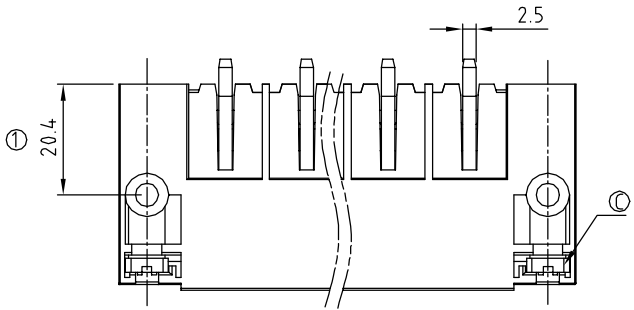


SIGN	DATE	DESCRIPTION	APPROVER
△			
THIS IS CAD DRAWING, DO NOT REVISE MANUALLY!!!			

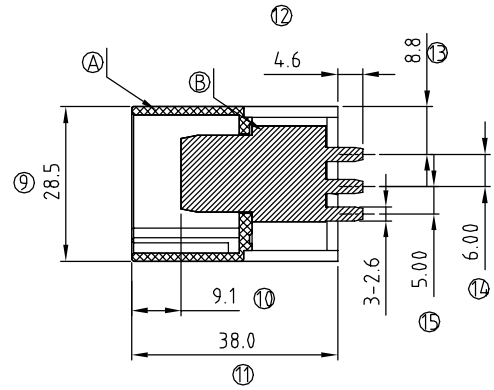
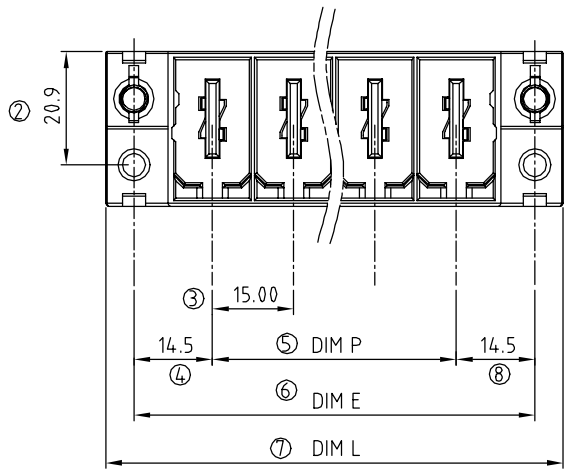


- Material:
- Item (A) Terminal housing: PBT (UL94V-0)
 - Item (B) Male contact : Copper. Gold plated.
 - Item (C) With flange nut: Steel zinc plated.

- Electrical: cULus
- Voltage rating: 600 V
 - Current rating: 115 A
 - Withstanding Voltage: 2.2 KV
 - Operating temperature: -40°C to +115°C
 - Soldering temperature: 250°C±10°C/5 Sec

KU xx C 1 x 0 xxxx G

- No. OF POLES ————
- 02: 2 POLES
-
- 10: 10 POLES
- COLOR ————
- 0: BLACK
- 5: GREEN (RAL 6018/T)
- 6: BLUE
- 8: GREY (RAL 7035/D)
- G: Pb<4000ppm
- 0000: "@" Logo (Standard)
- 000A: "ANYTEK" Mark
- Any special item by customer request. please contact sales department.



POLE	2	3	4	5	6	7	8	9	10
Dim.E	44.0	59.0	74.0	89.0	104.0	119.0	134.0	149.0	164.0
Dim.L	54.4	69.4	84.4	99.4	114.4	129.4	144.4	159.4	174.4
Dim.P	15.0	30.0	45.0	60.0	75.0	90.0	105.0	120.0	135.0
Tol.	±0.20			±0.35			±0.50		

ANYTEK				CUSTOMER COPY			
ALL RIGHTS RESERVED. REPRODUCTION OR ISSUE TO THIRD PARTIES IN ANY FORM WHATSOEVER IS NOT PERMITTED WITHOUT WRITTEN AUTHORITY FROM THE PROPRIETOR. PROPERTY OF ANYTEK TECHNOLOGY CO., LTD							
TITLE	KU 15.0mm Body Series (Vertical) with flange 2P-10P						
PART NO.	KUxxC1x0xxxxG			DWG NO.	8KU0004		
APPROVED	CHECKED	DESIGNED	DRAWN	CUST NO.	Tolerance		
		Runner	Runner		X. ±0.50		
		2011.04.25	2010.05.24		X.X ±0.30		
					X.XX ±0.10		
					X° ±1°		
				SHEET: 01/01	REV.: B		