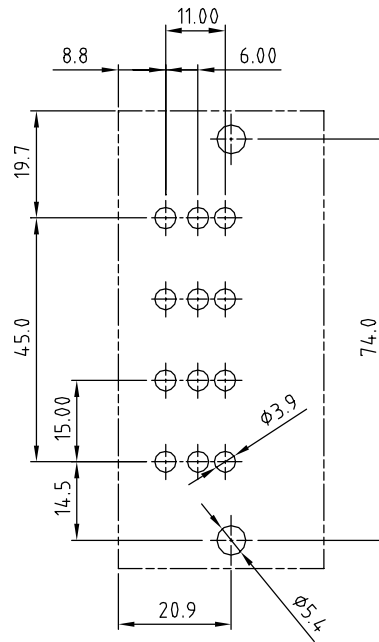
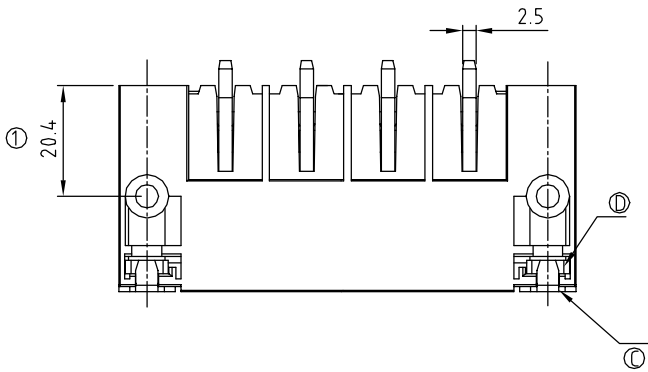
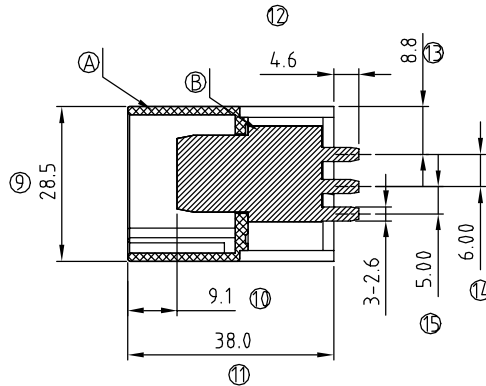
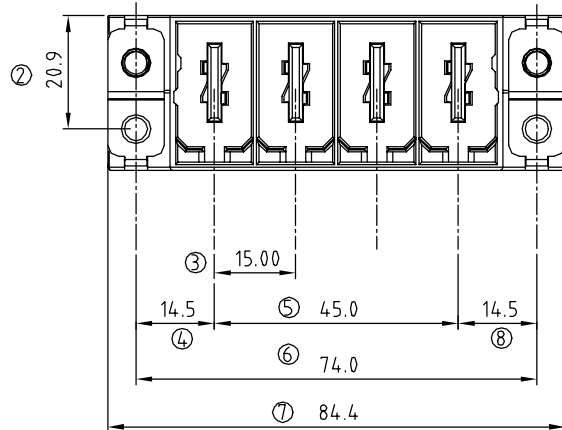


SIGN	DATE	DESCRIPTION	APPROVER
△			
THIS IS CAD DRAWING, DO NOT REVISE MANUALLY!!!			



- Material:
- Item A Terminal housing: PBT (UL94V-0)
 - Item B Male contact : Copper. Gold plated.
 - Item C Contact : Brass ,Tin Plated.
 - Item D With flange nut: Steel zinc plated.

- Electrical: cULus
- Voltage rating: 600 V
 - Current rating: 115 A
 - Withstanding Voltage: 2.2 KV
 - Operating temperature: -40°C to +115°C
 - Soldering temperature: 250°C±10°C/5 Sec



KU 04 C 2 x 0 xxxx G

No. OF POLES ——— 04: 4 POLES ——— G: Pb<4000ppm

COLOR ——— 0000: "@" Logo (Standard)
 000A: "ANYTEK" Mark
 Any special item by customer request.
 please contact sales department.

COLOR
 0: BLACK
 5: GREEN (RAL 6018/T)
 6: BLUE
 8: GREY (RAL 7035/D)

ANYTEK				CUSTOMER COPY	
ALL RIGHTS RESERVED. REPRODUCTION OR ISSUE TO THIRD PARTIES IN ANY FORM WHATSOEVER IS NOT PERMITTED WITHOUT WRITTEN AUTHORITY FROM THE PROPRIETOR. PROPERTY OF ANYTEK TECHNOLOGY CO., LTD					
TITLE	KU 15.0mm Body Series (Vertical) W/F and shield feed-through on the inside of the device				
PART NO.	KU04C2x0xxxxG		DWG NO.	8KU0002	
APPROVED	CHECKED	DESIGNED	DRAWN	CUST NO.	Tolerance
		Runner 2011.04.25	Runner 2010.05.24		UNIT: mm X. ±0.50 X.X ±0.30 X.XX ±0.10 X° ±1°
					SHEET: 01/01 REV.: B