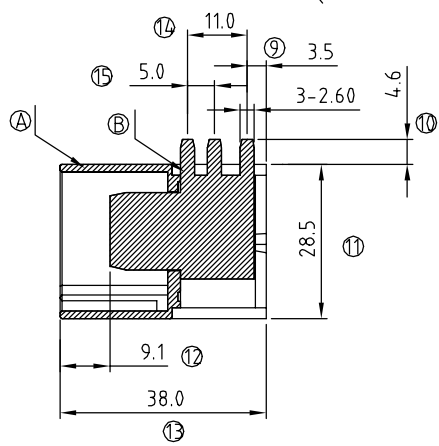
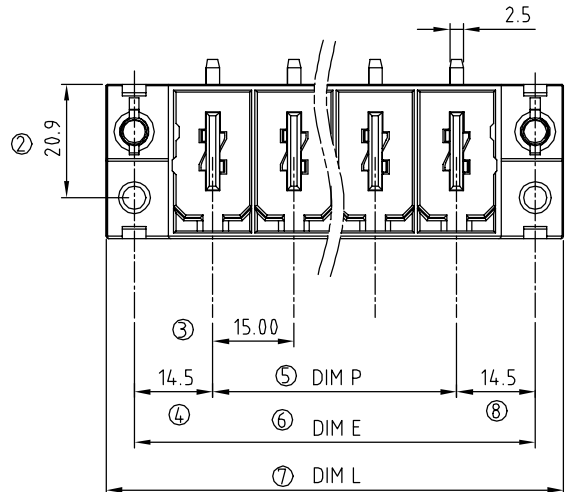
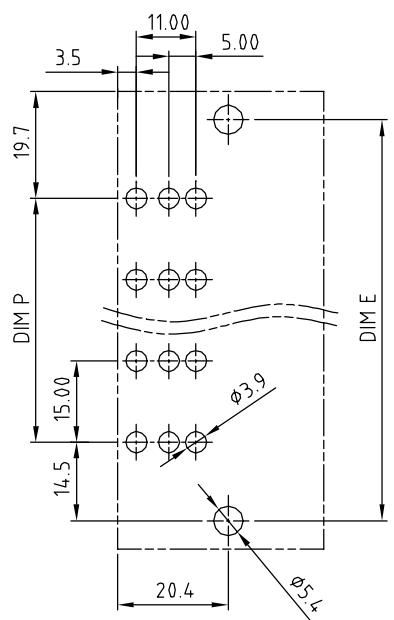
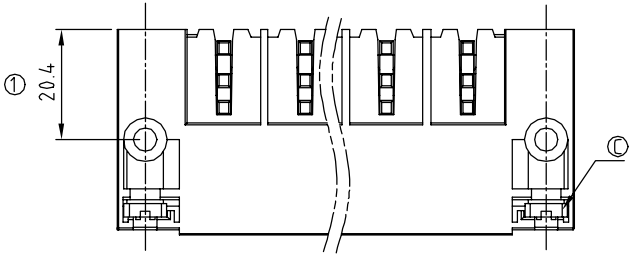


SIGN	DATE	DESCRIPTION	APPROVER
△			
THIS IS CAD DRAWING, DO NOT REVISE MANUALLY!!!			



- Material:
- Item ① Terminal housing: PBT (UL94V-0)
 - Item ② Male contact : Copper. Gold plated.
 - Item ③ With flange nut: Steel zinc plated.

- Electrical: cULus
- Voltage rating: 600 V
 - Current rating: 115 A
 - Withstanding Voltage: 2.2 KV
 - Operating temperature: -40°C to +115°C
 - Soldering temperature: 250°C±10°C/5 Sec

KU xx C 1 x 1 xxxx G

No. OF POLES ————
 02: 2 POLES
 :
 10: 10 POLES

G: Pb<4000ppm
 0000: "@" Logo (Standard)
 000A: "ANYTEK" Mark
 Any special item by customer request.
 please contact sales department.

COLOR ————
 0: BLACK
 5: GREEN (RAL 6018/T)
 6: BLUE
 8: GREY (RAL 7035/D)

POLE		2	3	4	5	6	7	8	9	10
Dim.E		44.0	59.0	74.0	89.0	104.0	119.0	134.0	149.0	164.0
Dim.L		54.4	69.4	84.4	99.4	114.4	129.4	144.4	159.4	174.4
Dim.P		15.0	30.0	45.0	60.0	75.0	90.0	105.0	120.0	135.0
Tol.		±0.20			±0.35			±0.50		

ANYTEK				CUSTOMER COPY			
ALL RIGHTS RESERVED. REPRODUCTION OR ISSUE TO THIRD PARTIES IN ANY FORM WHATEVER IS NOT PERMITTED WITHOUT WRITTEN AUTHORITY FROM THE PROPRIETOR. PROPERTY OF ANYTEK TECHNOLOGY CO., LTD							
TITLE		KU 15.0mm Body Series (Right angle) with flange 2P-10P					
PART NO.		KUxxC1x1xxxxG			DWG NO.		8KU0003
APPROVED		CHECKED	DESIGNED	DRAWN	CUST NO.		Tolerance
			Runner	Runner			X. ±0.50
			2011.04.25	2010.05.24			X.X ±0.30
					SHEET: 01/01		X.XX ±0.10
					REV.: B		X° ±1°