

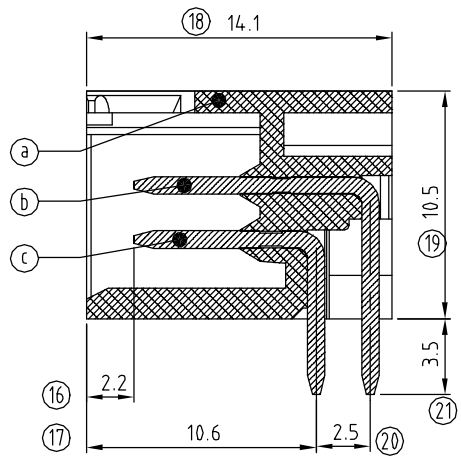
SIGN	DATE	DESCRIPTION	APPROVER
△	04/25'11	Material is changed	Chen Bo
THIS IS CAD DRAWING, DO NOT REVISE MANUALLY!!!			

Material:

- Item ① Terminal housing: PA66 (UL94V-0)
- Item ② Male contact long pin: Brass, Tin plated
- Item ③ Male contact short pin: Brass, Tin plated
- Item ④ With flange nut: Brass, Nickel plated. M2.0

Electrical:

- Voltage rating: 150V
- Current rating: 7 A
- Withstanding Voltage: 1.3KV
- Operating temperature: -40°C to +115°C
- Soldering temperature: 250°C±10°C/5 Sec
- Safety Approval: 



SECTION A-A

DimL=(N/2-1)×3.5+10.3
DimP=(N/2-1)×3.5
DimK=(N/2-1)×3.5

N=Number of poles

POLES	Tol	Dim.	Dim.L	Dim.P
2x2p-2x6p			±0.15	±0.10
2x7p-2x12p			±0.25	±0.20
2x13p-2x18p			±0.35	±0.30
2x19p-2x24p			±0.40	±0.35

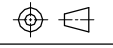
V X xx 1 2 x 1 xxxx G

- NO of pole
- 04 2x2 CONTACTS
- 06 3x2 CONTACTS
-
- 48 24x2 CONTACTS
- 0 Black
- 3 Orange
- 5 Green
- 6 Blue
- 8 Grey
- RoHS Pb<40,000ppm
- 0000 Standard @ Logo
- 000A Standard ANY Logo
- Any special item by customer request, please contact sales department.

ANYTEK

INSPECTION COPY

ALL RIGHTS RESERVED. REPRODUCTION OR ISSUE TO THIRD PARTIES IN ANY FORM WHATSOEVER IS NOT PERMITTED WITHOUT WRITTEN AUTHORITY FROM THE PROPRIETOR. PROPERTY OF ANYTEK TECHNOLOGY CO., LTD

TITLE	VX 3.5mm Series With flange Right-angle				DWG NO.	8VX001	
PART NO.	VXxx12x1xxxxG			CUST NO.			
APPROVED	CHECKED	DESIGNED	DRAWN	 UNIT: mm SCALE: NONE REV.: C			
		Runner 2011.04.25	Chen Bo 2011.04.25				
				SHEET: 01/01	Tolerance		
					X.	±0.50	
					X.X	±0.30	
					X.XX	±0.10	
					X°	±1°	