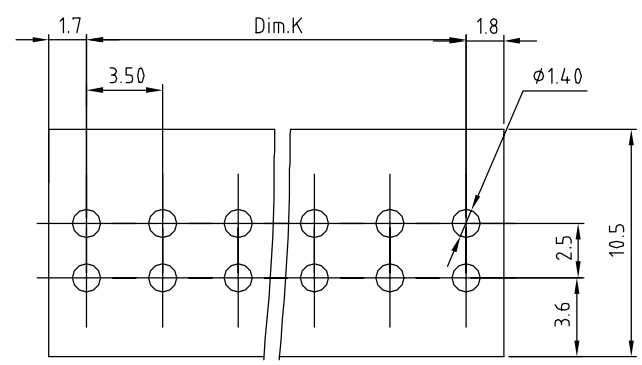
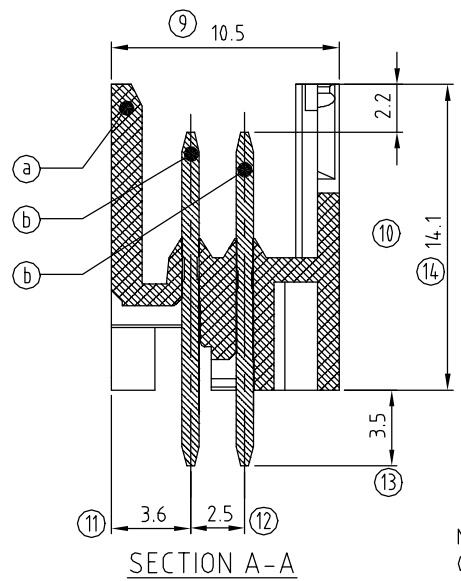
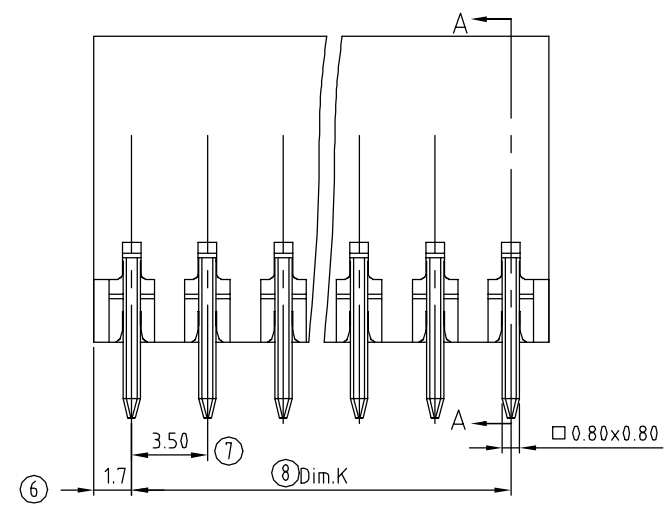
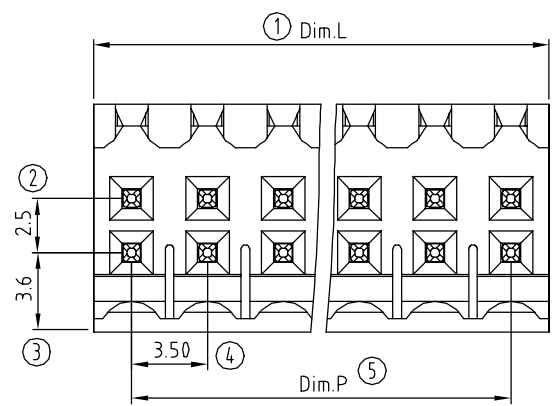


SIGN	DATE	DESCRIPTION	APPROVER
△	04/25'11	Material is changed	Chen Bo
THIS IS CAD DRAWING, DO NOT REVISE MANUALLY!!!			



$DimL = N/2 \times 3.5$   
 $DimP = (N/2 - 1) \times 3.5$   
 $DimK = (N/2 - 1) \times 3.5$   
 N=Number of poles

POLES	Tol	Dim.	Dim.L	Dim.P
2x2p-2x6p			±0.15	±0.10
2x7p-2x12p			±0.25	±0.20
2x13p-2x18p			±0.35	±0.30
2x19p-2x24p			±0.40	±0.35

Material:

- Item ② Terminal housing: PA66 (UL94V-0)
- △ ● Item ⑤ Male contact pin: Brass, Tin plated

Electrical:

- Voltage rating: 150V
- Current rating: 7A
- Withstanding Voltage: 1.3KV
- Operating temperature: -40°C to +115°C
- Soldering temperature: 250°C±10°C/5 Sec
- Safety Approval:

V X xx 1 0 x 0 xxxx G

- No of plose
- 04 2x2 CONTACTS
- 06 3x2 CONTACTS
- ... ..
- 48 24x2 CONTACTS
- 0 Black
- 3 Orange
- 5 Green
- 6 Blue
- 8 Grey
- RoHS Pb<40,000ppm
- 0000 Standard @ Logo
- 000A Standard ANY Logo
- Any special item by customer request, please contact sales department.

<b>ANYTEK</b>				<b>INSPECTION COPY</b>			
ALL RIGHTS RESERVED. REPRODUCTION OR ISSUE TO THIRD PARTIES IN ANY FORM WHATSOEVER IS NOT PERMITTED WITHOUT WRITTEN AUTHORITY FROM THE PROPRIETOR. PROPERTY OF ANYTEK TECHNOLOGY CO., LTD							
TITLE		VX 3.5mm Series Open type Vertical					
PART NO.		VXxx10x0xxxxG			DWG NO.		8VX006
APPROVED		CHECKED	DESIGNED	DRAWN	CUST NO.		Tolerance
			Runner 2011.04.25	Chen Bo 2011.04.25			X. ±0.50
						UNIT: mm	
				SHEET: 01/01		SCALE: NONE	
						X.XX ±0.30	
						X° ±1°	