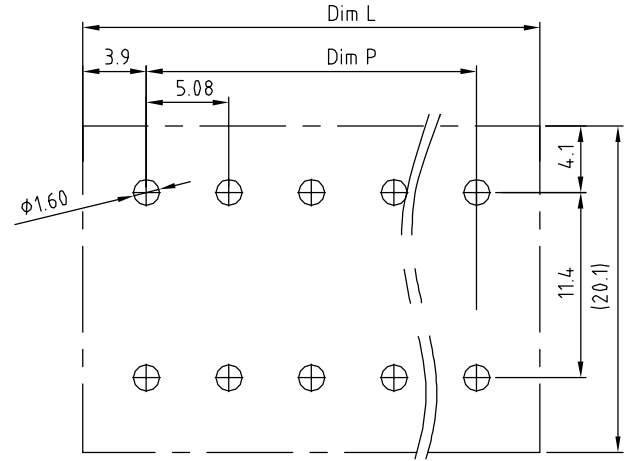
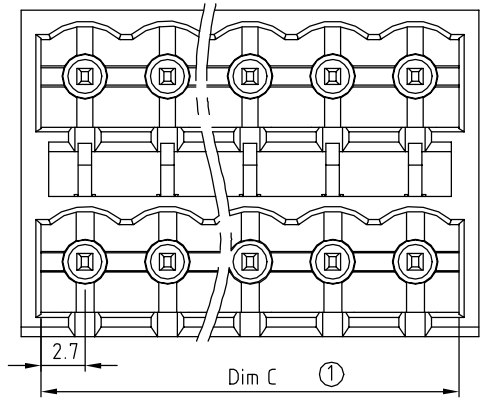


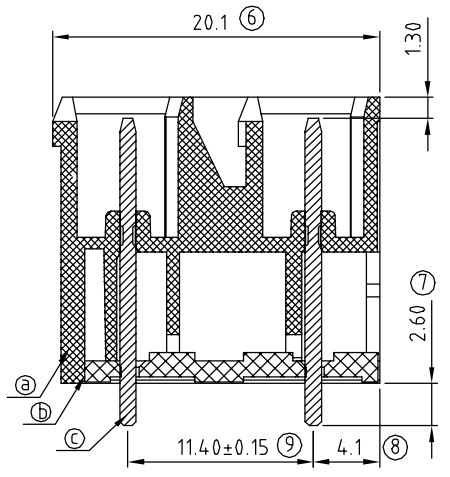
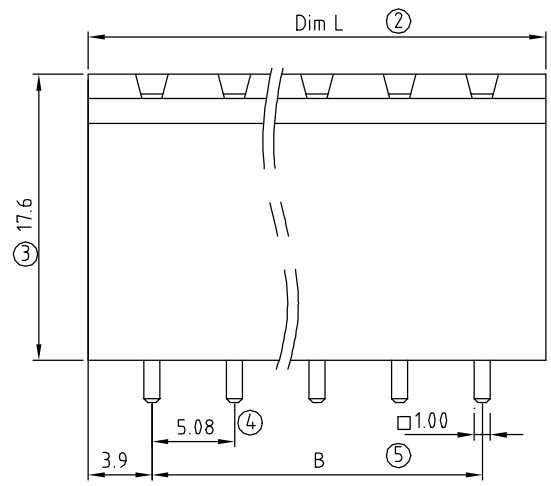
SIGN	DATE	DESCRIPTION	APPROVER
△	04/28'11	Add is cULus	Aaron
THIS IS CAD DRAWING, DO NOT REVISE MANUALLY!!!			



PCB Layout

- Material:
- Item a Terminal(housing): Thermoplastic (UL94V-0)
 - Item b Terminal(cover): Thermoplastic (UL94V-0)
 - Item c Male contact pin : Copper Tin plated

- Electrical: cULus
- Voltage rating: 300V
 - Current rating: 12A
 - Withstanding Voltage: 1.6KV
 - Operating temperature: -40°C to +115°C
 - Soldering temperature: 250°C ±10°C/5 Sec
 - △ ● Safety Approval:



KE xx 5 1 x 2 xxxx G

- No. OF POLES
- 04: 2x2 POLES
 - 06: 2x3 POLES
 - ...
 - 48: 2x24 POLES
- COLOR
- 0 Black (RAL9005)
 - 2 Red (RAL3001/D)
 - 3 Orange(RAL2011/P)
 - 4 Yellow(RAL1018/A)
 - 5 Green(RAL6018/T)
 - 6 Blue (RAL5015/A)
 - 8 Grey(RAL7035/D)
 - 9 White(RAL1102)
 - C Green(RAL6018/U)
- G: Pb<40000ppm
- 0000: "@" Logo (Standard)
- 000A: "ANYTEK" Mark
- Any special item by customer request. please contact sales department.

Poles	Dim L	Dim P	Dim C
2x2-2x6p	±0.15	±0.15	+0.05 -0.05
2x7-2x12p	±0.25	±0.25	+0.10 -0.05
2x13-2x18p	±0.35	±0.35	+0.20 -0.05
2x19-2x24p	±0.40	±0.40	+0.25 -0.10

N = Number of poles
 Dim L=Nx5.08+2.72
 Dim P=(N-1)x5.08
 Dim C=(N-1)x5.08+5.4

ANYTEK		CUSTOMER COPY	
ALL RIGHTS RESERVED. REPRODUCTION OR ISSUE TO THIRD PARTIES IN ANY FORM WHATSOEVER IS NOT PERMITTED WITHOUT WRITTEN AUTHORITY FROM THE PROPRIETOR. PROPERTY OF ANYTEK TECHNOLOGY CO., LTD			
TITLE	KE 5.08mm W/O Flange Series (Vertical) DIP TYPE		
PART NO.	KExx51x2xxxxG	DWG NO.	8KE0208
APPROVED	CHECKED	DESIGNED	DRAWN
		Jacke 2010.09.28	Jacke 2009.08.26
SHEET: 01/01		Tolerance	
UNIT: mm		X. ±0.50	
SCALE: NONE		X.X ±0.30	
REV.: B		X.XX ±0.10	
		X° ±1°	