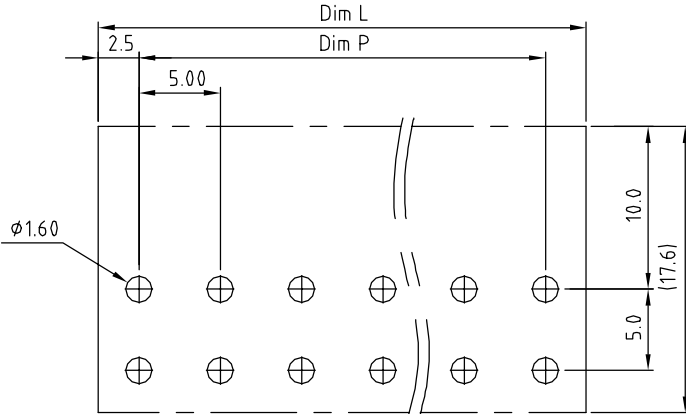
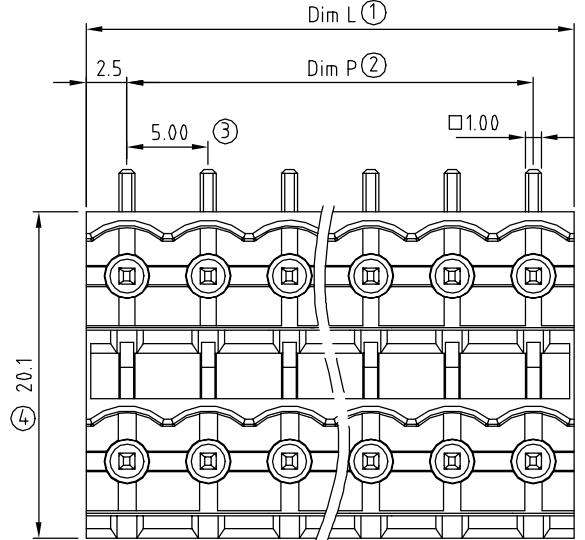
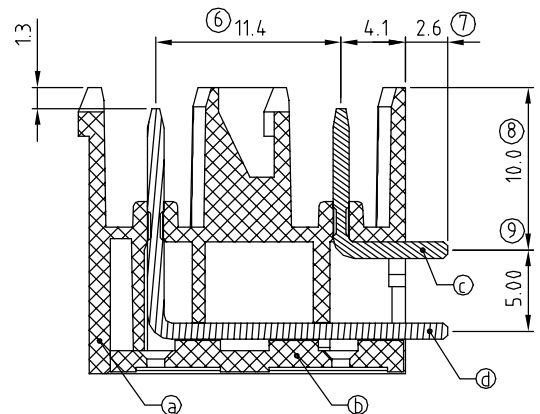
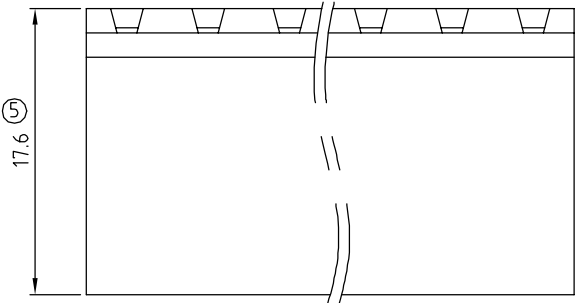


SIGN	DATE	DESCRIPTION	APPROVER
△	04/28'11	Add is cULus	Aaron
THIS IS CAD DRAWING, DO NOT REVISE MANUALLY!!!			



PCB Layout



- Material:
- Item a Terminal(housing): Thermoplastic (UL94V-0)
 - Item b Terminal(cover): Thermoplastic (UL94V-0)
 - Item c Male contact pin of short: Copper Tin plated
 - Item d Male contact pin of long: Copper Tin plated

- Electrical: cULus
- Voltage rating: 300V
 - Current rating: 12A
 - Withstanding Voltage: 1.6KV
 - Operating temperature: -40°C to +115°C
 - Soldering temperature: 250°C±10°C/5 Sec
 - △ ● Safety Approval:

KE xx 7 4 x 3 xxxx G

- No. OF POLES: 04: 2x2 POLES, 06: 2x3 POLES, 48: 2x24 POLES
- COLOR: 0 Black (RAL9005), 2 Red (RAL3001/D), 3 Orange(RAL2011/P), 4 Yellow(RAL1018/A), 5 Green(RAL6018/T), 6 Blue (RAL5015/A), 8 Grey(RAL7035/D), 9 White(RAL1102), C Green(RAL6018/U)
- G: Pb<40000ppm
- 0000: "@" Logo (Standard)
000A: "ANYTEK" Mark
Any special item by customer request, please contact sales department.

Poles	Dim L	Dim P
2x2-2x6p	±0.15	±0.15
2x7-2x12p	±0.25	±0.25
2x13-2x18p	±0.35	±0.35
2x19-2x24p	±0.40	±0.40

N = Number of poles
Dim L=Nx5.0
Dim P=(N-1)x5.0

ANYTEK				CUSTOMER COPY				
ALL RIGHTS RESERVED. REPRODUCTION OR ISSUE TO THIRD PARTIES IN ANY FORM WHATSOEVER IS NOT PERMITTED WITHOUT WRITTEN AUTHORITY FROM THE PROPRIETOR. PROPERTY OF ANYTEK TECHNOLOGY CO., LTD								
TITLE		KE 5.0mm Open Series (Right angle) (Dip type)				DWG NO.		8KE0107
PART NO.		KExx74x3xxxxG		DWG NO.		8KE0107		
APPROVED	CHECKED	DESIGNED	DRAWN	CUST NO.		Tolerance		
		Jacke 2010.03.30	Jacke 2009.08.26			UNIT: mm	X. ±0.50	
						SCALE: NONE	X.X ±0.30	
				SHEET: 01/01		REV.: B	X.XX ±0.10	
							X° ±1°	