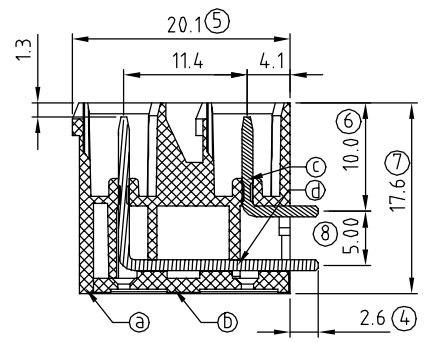
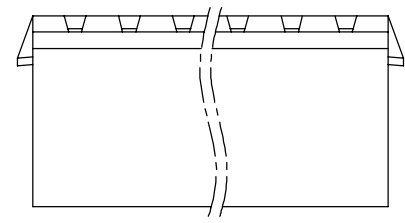
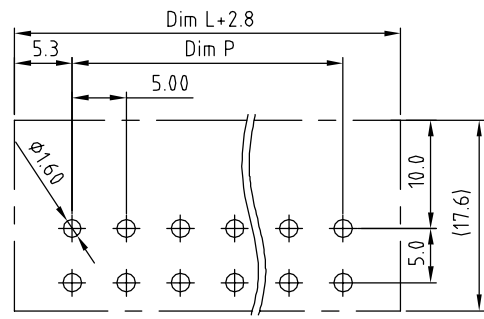
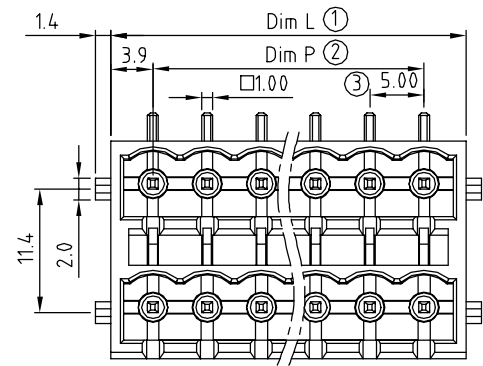


SIGN	DATE	DESCRIPTION	APPROVER
△	04/28'11	Add is cULus	Aaron
THIS IS CAD DRAWING, DO NOT REVISE MANUALLY!!!			



- Material:
- Item a Terminal(housing): Thermoplastic (UL94V-0)
 - Item b Terminal(cover): Thermoplastic (UL94V-0)
 - Item c Male contact pin of short: Copper Tin plated
 - Item d Male contact pin of long: Copper Tin plated

- Electrical: cULus
- Voltage rating: 300V
 - Current rating: 12A
 - Withstanding Voltage: 1.6KV
 - Operating temperature: -40°C to +115°C
 - Soldering temperature: 250°C±10°C/5 Sec
 - △ ● Safety Approval:

KE xx 7 3 x 3 xxxx G

- No. OF POLES ——— G: Pb<40000ppm
- 04: 2x2 POLES
 - 06: 2x3 POLES
 - ...
 - 48: 2x24 POLES
- COLOR
- 0 Black (RAL9005)
 - 2 Red (RAL3001/D)
 - 3 Orange(RAL2011/P)
 - 4 Yellow(RAL1018/A)
 - 5 Green(RAL6018/T)
 - 6 Blue (RAL5015/A)
 - 8 Grey(RAL7035/D)
 - 9 White(RAL1102)
 - C Green(RAL6018/U)
- 0000: "@ " Logo (Standard)
000A: "ANYTEK" Mark
Any special item by customer request. please contact sales department.

Poles	Dim L	Dim P
2x2-2x6p	±0.15	±0.15
2x7-2x12p	±0.25	±0.25
2x13-2x18p	±0.35	±0.35
2x19-2x24p	±0.40	±0.40

N = Number of poles
Dim L=Nx5.0+2.8
Dim P=(N-1)x5.0

ANYTEK				CUSTOMER COPY			
ALL RIGHTS RESERVED. REPRODUCTION OR ISSUE TO THIRD PARTIES IN ANY FORM WHATSOEVER IS NOT PERMITTED WITHOUT WRITTEN AUTHORITY FROM THE PROPRIETOR. PROPERTY OF ANYTEK TECHNOLOGY CO., LTD							
TITLE		KE 5.0mm With latch holder Series (Right-angle) DIP type					
PART NO.		KExx73x3xxxxG			DWG NO.		8KE0105
APPROVED		CHECKED	DESIGNED	DRAWN	CUST NO.		Tolerance
			Jacke 2010.03.30	Jacke 2009.08.26			X. ±0.50
							UNIT: mm
					SHEET: 01/01		X.XX ±0.10
					REV.: B		X° ±1°