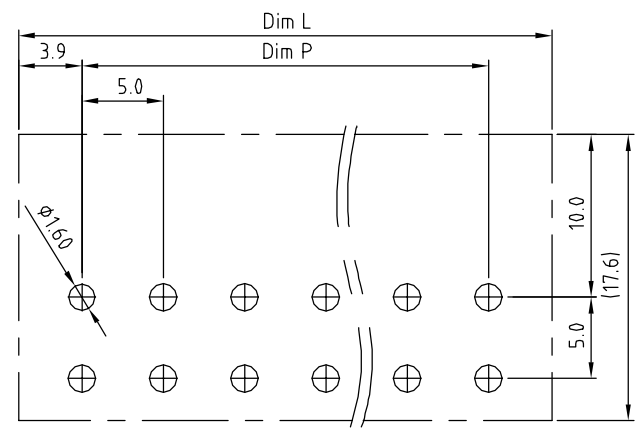
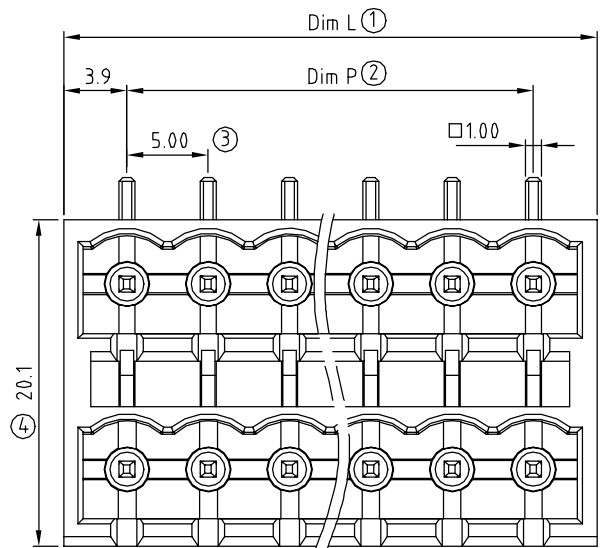
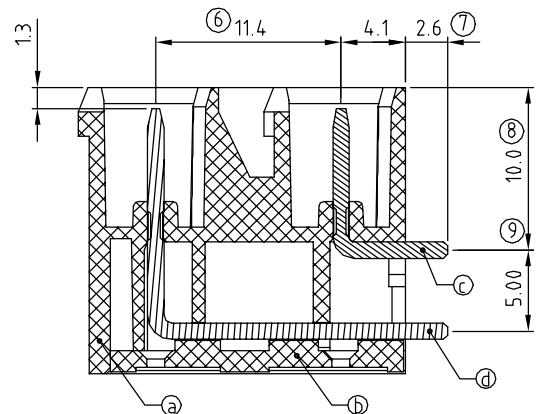
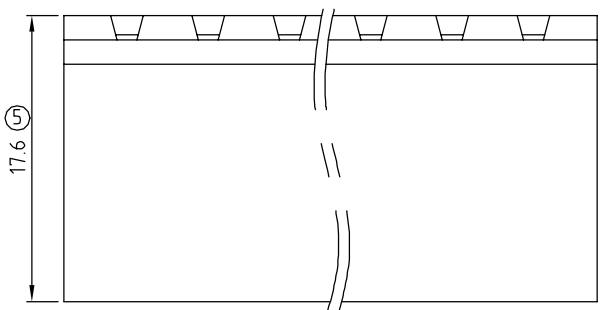


SIGN	DATE	DESCRIPTION	APPROVER
△	04/28'11	Add is cULus	Aaron
THIS IS CAD DRAWING, DO NOT REVISE MANUALLY!!!			



PCB Layout



- Material:
- Item a Terminal(housing): Thermoplastic (UL94V-0)
 - Item b Terminal(cover): Thermoplastic (UL94V-0)
 - Item c Male contact pin of short: Copper Tin plated
 - Item d Male contact pin of long: Copper Tin plated

- Electrical: cULus
- Voltage rating: 300V
 - Current rating: 12A
 - Withstanding Voltage: 1.6KV
 - Operating temperature: -40°C to +115°C
 - Soldering temperature: 250°C±10°C/5 Sec
 - △ ● Safety Approval:

KE xx 7 1 x 3 xxxx G

- No. OF POLES ——— G: Pb<40000ppm
- 04: 2×2 POLES
06: 2×3 POLES
:
48: 2×24 POLES
- COLOR ——— 0000: "@ " Logo (Standard)
000A: "ANYTEK" Mark
- Any special item by customer request. please contact sales department.
- 0 Black (RAL9005)
 - 2 Red (RAL3001/D)
 - 3 Orange(RAL2011/P)
 - 4 Yellow(RAL1018/A)
 - 5 Green(RAL6018/T)
 - 6 Blue (RAL5015/A)
 - 8 Grey(RAL7035/D)
 - 9 White(RAL1102)
 - C Green(RAL6018/U)

Poles	Dim L	Dim P
2×2-2×6p	±0.15	±0.15
2×7-2×12p	±0.25	±0.25
2×13-2×18p	±0.35	±0.35
2×19-2×24p	±0.40	±0.40

N = Number of poles
Dim L=N×5.0+2.8
Dim P=(N-1)×5.0

ANYTEK				CUSTOMER COPY			
ALL RIGHTS RESERVED. REPRODUCTION OR ISSUE TO THIRD PARTIES IN ANY FORM WHATSOEVER IS NOT PERMITTED WITHOUT WRITTEN AUTHORITY FROM THE PROPRIETOR. PROPERTY OF ANYTEK TECHNOLOGY CO., LTD							
TITLE		KE 5.0mm Close Series (Right angle) (DIP type)					
PART NO.	KExx71x3xxxxG	DWG NO.	8KE0101				
APPROVED	CHECKED	DESIGNED	DRAWN	CUST NO.	Tolerance		
		Jacke 2009.08.26	Jacke 2009.08.26		X. ±0.50		
					X.X ±0.30		
					X.XX ±0.10		
					X° ±1°		
				UNIT: mm			
				SCALE: NONE			
				SHEET: 01/01	REV.: B		