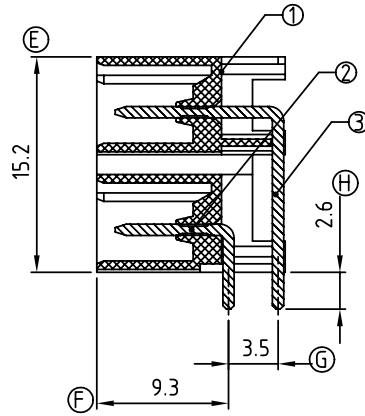
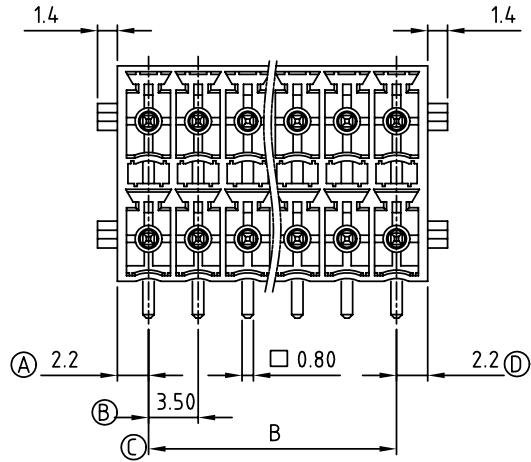
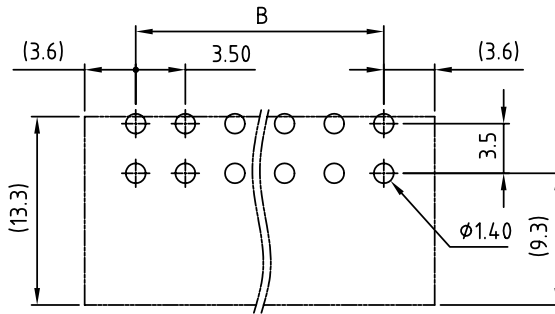
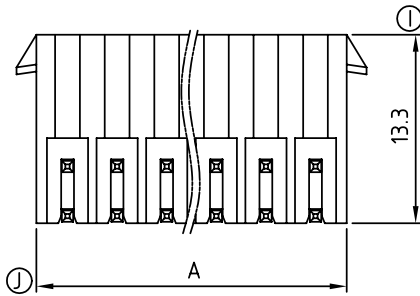


SIGN	DATE	DESCRIPTION	APPROVER
△	9/17'10	How to order is changed	Runner
THIS IS CAD DRAWING, DO NOT REVISE MANUALLY!!!			



- Material:
- Item ① Terminal(housing): PA66 30% GF (UL94V-0)
 - Item ② Contact pin of short: Copper Tin plated
 - Item ③ Contact pin of long: copper Tin plated

- Electrical:
- Voltage rating: 160V
 - Current rating: 5.5A
 - Withstanding Voltage: 1.32 KV
 - Operating temperature: -40°C to +115°C
 - Soldering temperature: 250°C ±10°C/5 Sec
 - APPROVAL: us



PCB Layout

KE xx 1 3 x 1 xxxx G

- No. OF POLES
- 04: 2×2 POLES
 - 06: 2×3 POLES
 - ...
 - 48: 2×24 POLES

COLOR

- 0 Black (RAL9005)
- 2 Red (RAL3001/D)
- 3 Orange(RAL2011/P)
- 4 Yellow(RAL1018/A)
- 5 Green(RAL6018/T)
- 6 Blue (RAL5015/A)
- 8 Grey(RAL7035/D)

G: Pb<40000ppm

A00 0: "@" Mark
 △ A00 A: "ANYTEK" Mark

Any special item by customer request, please contact sales department.

POLE		2×2	2×3	2×4	2×5	2×6	2×7	2×8	2×9	2×10	2×11	2×12
A		7.90	11.40	14.90	18.40	21.90	25.40	28.90	32.40	35.90	39.40	42.90
B		3.50	7.00	10.50	14.00	17.50	21.00	24.50	28.00	31.50	35.00	38.50
Tol.		±0.15					±0.20					
POLE	2×13	2×14	2×15	2×16	2×17	2×18	2×19	2×20	2×21	2×22	2×23	2×24
A	46.40	49.90	53.40	56.90	60.40	63.90	67.40	70.90	74.40	77.90	81.40	84.90
B	42.00	45.50	49.00	52.50	56.00	59.50	63.00	66.50	70.00	73.50	77.00	80.50
Tol.	±0.25					±0.30						

ANYTEK

CUSTOMER COPY

ALL RIGHTS RESERVED. REPRODUCTION OR ISSUE TO THIRD PARTIES IN ANY FORM WHATSOEVER IS NOT PERMITTED WITHOUT WRITTEN AUTHORITY FROM THE PROPRIETOR. PROPERTY OF ANYTEK TECHNOLOGY CO., LTD

TITLE	KE 3.5mm With Holder Series (Right angle) DIP type											
PART NO.	KExx13x1xxxxG						DWG NO.	8KE0008				
APPROVED	CHECKED	DESIGNED	DRAWN	CUST NO.								Tolerance
			Runner 2010.09.17	Runner 2010.04.12			UNIT: mm	X.	±0.50			
							SCALE: NONE	X.X	±0.30			
								X.XX	±0.10			
								X°	±1°			
					SHEET: 01/01		REV.: C					