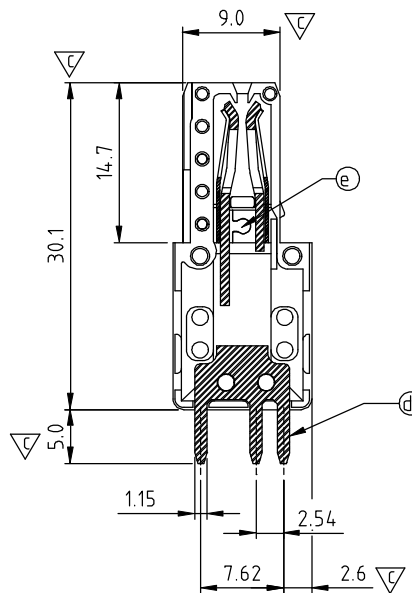
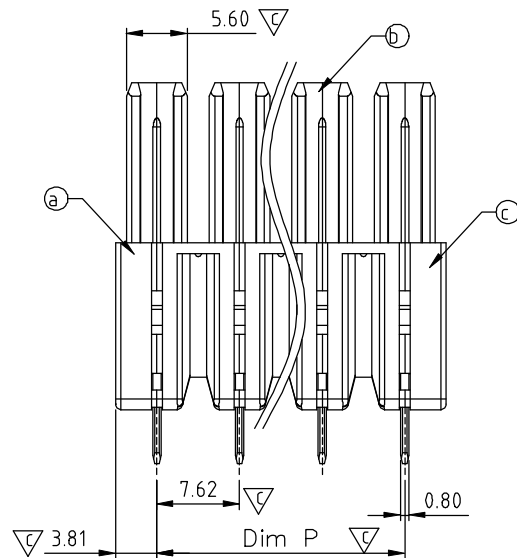


PCB LAYOUT (TOP VIEW)



N=NUMBER OF POLES

DIM		TOL			
		2P--5P	6P--8P	9P--12P	13P--16P
Dim L	$N \times 7.62$	$\pm 0.20$	$\pm 0.30$	$\pm 0.35$	$\pm 0.40$
Dim P	$(N-1) \times 7.62$	$\pm 0.20$	$\pm 0.30$	$\pm 0.35$	$\pm 0.40$

SIGN	DATE	DESCRIPTION	APPROVER
△	09/26 '13	add the safety certification icon	Chen Bo
△	09/26 '13	change the electrical specification	Chen Bo
△			

THIS IS CAD DRAWING, DO NOT REVISE MANUALLY!!!

Material:

- Item ① Left Cover :Thermoplastic (UL94 - V0)
- Item ② Middel Body :Thermoplastic (UL94 - V0)
- Item ③ Right Cover :Thermoplastic (UL94 - V0)
- Item ④ Contact pin: Copper Tin plated
- Item ⑤ Wire guard:Stainless Steel ( ET 7.62 )

Electrical: cULus

- Voltage rating: 300V
- Current rating: 41A
- Withstanding Voltage:1.6 KV
- Operating temperature:-40°C to +115°C
- Soldering temperature:260°C±5°C/5 Sec
- Safety approval: cULus
- Critical dimension: ∇

KSxx01x0xxxxG

- No. OF POLES: 02: 2 POLES, 16: 16 POLES
- COLOR: 0 Black (RAL9005), 2 Red (RAL3001/D), 3 Orange(RAL2011/P), 4 Yellow(RAL1018/A), 5 Green(RAL6018/T), 6 Blue (RAL5015/A), 8 Grey(RAL7035/D), 9 White(RAL1102), C Green(RAL6018/U)
- RoHS compliant (lead<4%) In copper Alloy
- 0000: "@ Logo (Standard)
- 000A: "ANYTEK" Mark
- Any special item by customer request. please contact sales department.

**ANYTEK**

**CUSTOMER COPY**

ALL RIGHTS RESERVED. REPRODUCTION OR ISSUE TO THIRD PARTIES IN ANY FORM WHATSOEVER IS NOT PERMITTED WITHOUT WRITTEN AUTHORITY FROM THE PROPRIETOR. PROPERTY OF ANYTEK TECHNOLOGY CO., LTD

TITLE	KS 7.62 Series 2P-16P Vertical ( Without Flange )				DWG NO.	8KS0001	
PART NO.	KSxx01x0xxxxG			DWG NO.	8KS0001		
APPROVED	CHECKED	DESIGNED	DRAWN	CUST NO.	Tolerance		
		Chen Bo 09/26 '13	Chen Bo 08/16 '12		UNIT: mm	X.	±0.50
					SCALE: NONE	X.X	±0.30
					SHEET: 01/01	X.XX	±0.10
					REV.: C	X°	±1°