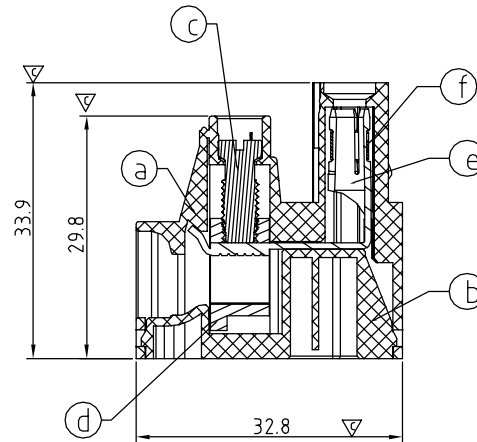
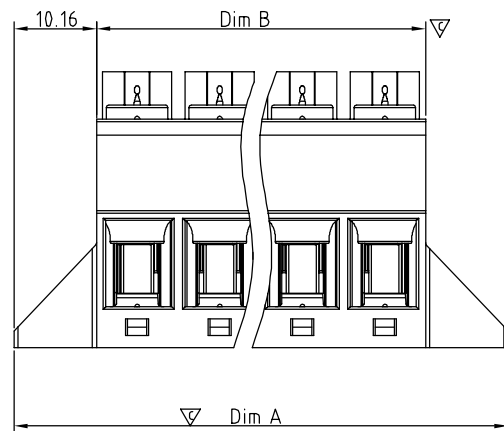


△ Dim A	$N \times 10.16 + 20.16$
Dim B	$N \times 10.16 - 0.16$
Dim C	$(N-1) \times 10.16 + 20.32$
Dim D	$(N-1) \times 10.16$

N= Number of poles

Poles	Tolerance
△ 2P-5P	± 0.20
△ 6P-10P	± 0.35
△ 11P-12P	± 0.45



SECTION P-P

SIGN	DATE	DESCRIPTION	APPROVER
△	07/04'11	Add is "cULus" mark	Aaron
△	11/22'11	The dimensions are changed	Aaron

THIS IS CAD DRAWING, DO NOT REVISE MANUALLY!!!

Material

- Item a Terminal body: Thermoplastic (UL94V-0)
- Item b Terminal cover: Thermoplastic (UL94V-0)
- Item c Terminal screw: Steel Zinc plating "-" slot type
- Item d Clamp: Brass, Ni plated
- Item e Male contact pin: Copper Tin plated
- Item f Wire guard: Stainless Steel

Electrical cULus / IEC

- Voltage rating: 600VAC / 1000VAC
- Current rating: 55A / 76A
- Solid wire: 6-20 / 0.5-16mm²
- Stranded wire: 6-20 / 0.5-16mm²
- Torque: 18 Lb-In / 1.2 N.m
- Screw: M4.5
- Wire strip length: 13-14mm
- Withstanding Voltage: 2.2KV / 8KV
- Operating temperature: -40°C to +115°C

- △ Safety Approval:
- Critical dimension: ▽

PART NO. **KJ xx 61 x 0 xxxx G**

- No. OF POLES
- 02 2 CONTACTS
 - 03 3 CONTACTS
 -
 - 12 12 CONTACTS

- Color
- 0 Black (RAL9005)
 - 2 Red (RAL3001/D)
 - 3 Orange (RAL2011/P)
 - 4 Yellow (RAL1018/A)
 - 5 Green (RAL6018/T)
 - 6 Blue (RAL5015/A)
 - 8 Grey (RAL7035/D)
 - 9 White (RAL1102)
 - C Green (RAL6018/U)

- G: Pb<40000ppm
- 0000: "@" Logo (Standard)
 - 000A: "ANYTEK" Mark
- Any special item by customer request. please contact sales department.

<h1>ANYTEK</h1>				<h2>CUSTOMER COPY</h2>			
ALL RIGHTS RESERVED. REPRODUCTION OR ISSUE TO THIRD PARTIES IN ANY FORM WHATSOEVER IS NOT PERMITTED WITHOUT WRITTEN AUTHORITY FROM THE PROPRIETOR. PROPERTY OF ANYTEK TECHNOLOGY CO., LTD							
TITLE		KJ 10.16 Series 2p-12p		DWG NO.		8KJ0001	
PART NO.		KJxx61x0xxxxG		CUST NO.			
APPROVED	CHECKED	DESIGNED	DRAWN			Tolerance	
		Aaron 2011.10.22	Jacke 2009.07.10			UNIT: mm SCALE: NONE REV.: C	
				SHEET: 01/01		X. ±0.50 X.X ±0.30 X.XX ±0.10 X° ±1°	