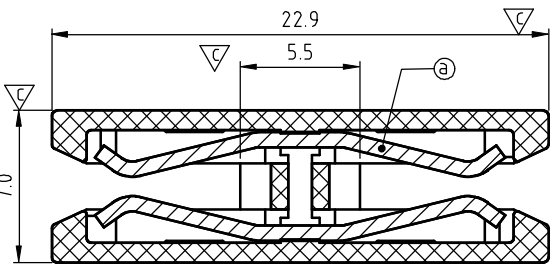
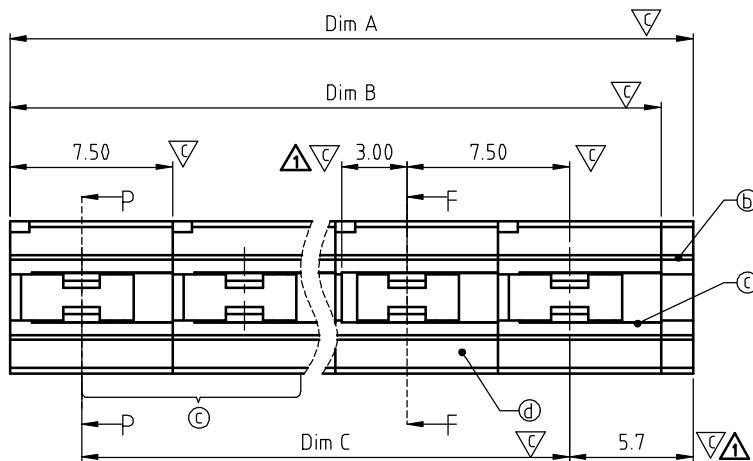
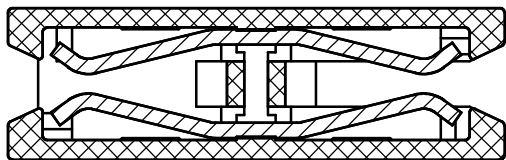


SIGN	DATE	DESCRIPTION	APPROVER
▲	10/30/13	add the dimensional label	Chen Bo
▲	10/30/13	add the view	Chen Bo
THIS IS CAD DRAWING, DO NOT REVISE MANUALLY!!!			



SECTION P-P



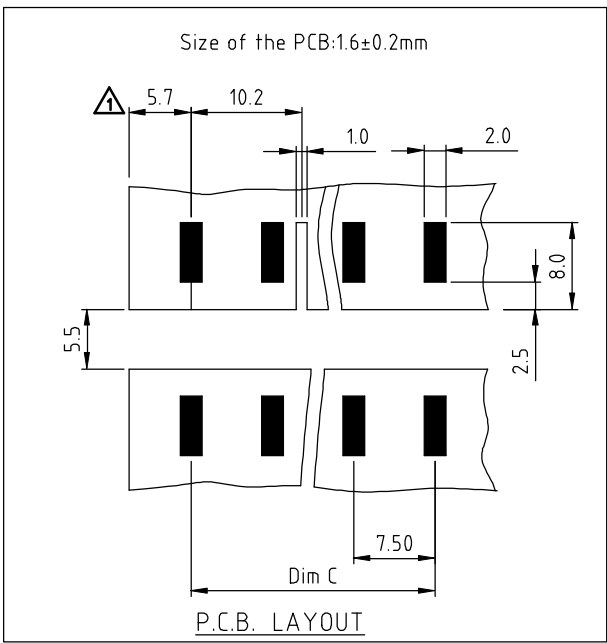
SECTION F-F

Material

- Item (a) Female contact: PhBz(CuSn), Tin plated
- Item (b) Terminal Cover: Thermoplastic (UL94V-0)
- Item (c) Terminal housing: Thermoplastic (UL94V-0)
- Item (d) Terminal housing (B type): Thermoplastic (UL94V-0)

Electrical

- Voltage rating: 300VAC
- Current rating: 10A
- Withstanding Voltage: 1.6KV
- Operating temperature: -40°C to +115°C
- Critical dimension: ∇



KF xx A0 x 0 xxxx G

- No. OF POLES
- 02 2 CONTACTS
 - 03 3 CONTACTS
 - ...
 - 16 16 CONTACTS

- Color
- 0 Black (RAL9005)
 - 2 Red (RAL3001/D)
 - 3 Orange (RAL2011/P)
 - 4 Yellow (RAL1018/A)
 - 5 Green (RAL6018/T)
 - 6 Blue (RAL5015/A)
 - 8 Grey (RAL7035/D)
 - 9 White (RAL1102)
 - C Green (RAL6018/U)

G RoHS compliant (lead<4%)
In copper Alloy
0000: "@" Logo (Standard)
000A: "ANYTEK" Mark
Any special item by customer request. please contact sales department.

Dimension

Dim A	$N \times 7.5 + 1.50$	↔	Poles	Tolerance
Dim B	$N \times 7.5$		2P-6P	±0.20
Dim C	$(N-1) \times 7.5$		7P-11P	±0.30
			12P-16P	±0.40

N= Number of poles

ANYTEK				CUSTOMER COPY			
ALL RIGHTS RESERVED. REPRODUCTION OR ISSUE TO THIRD PARTIES IN ANY FORM WHATSOEVER IS NOT PERMITTED WITHOUT WRITTEN AUTHORITY FROM THE PROPRIETOR. PROPERTY OF ANYTEK TECHNOLOGY CO., LTD							
TITLE	KF 7.5 Series			DWG NO.	8KF0401		
PART NO.	KFxxA0x0xxxxG			CUST NO.			
APPROVED	CHECKED	DESIGNED	DRAWN			Tolerance	
		Chen Bo 10/30/13	Chen Bo 10/30/13			UNIT: mm	X. ±0.5
				SHEET: 01/01	REV.: C	X.XX ±0.1	X° ±1°