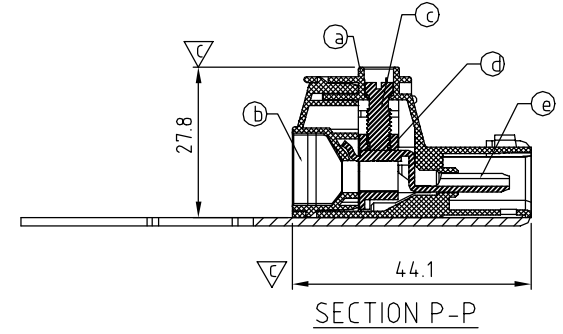
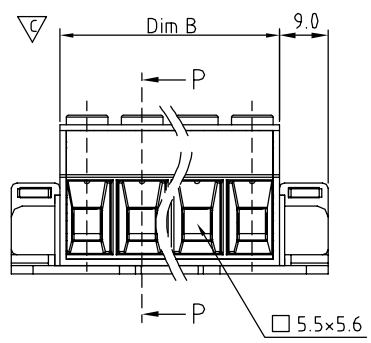
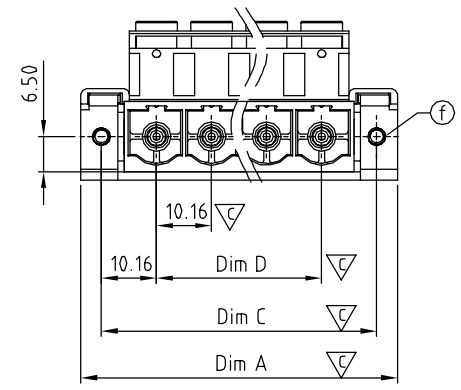
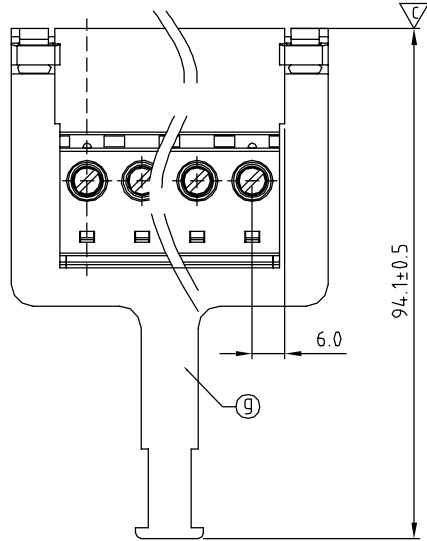


SIGN	DATE	DESCRIPTION	APPROVER
△	2011.12.15	Screw is changed from M4 to M4.5	Aaron
THIS IS CAD DRAWING, DO NOT REVISE MANUALLY!!!			



**Material**

- Item a Terminal body: Thermoplastic (UL94V-0)
- Item b Terminal cover: Thermoplastic (UL94V-0)
- Item c Terminal screw: Steel Zinc plating "-" slot type
- Item d Clamp: Brass, Ni plated
- Item e Male contact pin: Copper Gold plated
- Item f With flange nut: Steel Zinc plating M3
- Item g With flange shaft: Steel Zinc plating

**Electrical cULus / IEC**

- Voltage rating: 300VAC / 1000VAC
- Current rating: 55A / 76A
- Solid wire: 6-20 / 0.5-16mm<sup>2</sup>
- Stranded wire: 6-20 / 0.5-16mm<sup>2</sup>
- Torque: 18 Lb-In / 2.0 N.m
- △ Screw: M4.5
- Wire strip length: 13-14mm
- Withstanding Voltage: 1.6KV / 8KV
- Operating temperature: -40°C to +115°C
- Critical dimension: ▽

**PART NO. KK xx 61 x 4 xxxx G**

- |              |                      |                                       |
|--------------|----------------------|---------------------------------------|
| No. OF POLES | Color                | G: Pb<40000ppm                        |
| 03 3Contacts | 0 Black (RAL9005)    | 0000: "@" Logo (Standard)             |
| 04 4Contacts | 2 Red (RAL3001/D)    | 000A: "ANYTEK" Mark                   |
|              | 3 Orange (RAL2011/P) | Any special item by customer request. |
|              | 4 Yellow (RAL1018/A) | please contact sales department.      |
|              | 5 Green (RAL6018/T)  |                                       |
|              | 6 Blue (RAL5015/A)   |                                       |
|              | 8 Grey (RAL7035/D)   |                                       |
|              | 9 White (RAL1102)    |                                       |
|              | C Green (RAL6018/U)  |                                       |

N= Number of poles

Dim A	N×10.16+17.76
Dim B	N×10.16-0.16
Dim C	(N-1)×10.16+20.32
Dim D	(N-1)×10.16

Poles	Tolerance
3P	±0.25
4P	

<b>ANYTEK</b>				<b>CUSTOMER COPY</b>			
ALL RIGHTS RESERVED. REPRODUCTION OR ISSUE TO THIRD PARTIES IN ANY FORM WHATSOEVER IS NOT PERMITTED WITHOUT WRITTEN AUTHORITY FROM THE PROPRIETOR. PROPERTY OF ANYTEK TECHNOLOGY CO., LTD							
TITLE		KK 10.16 Series 3p-4p (W/F nut + shaft type)					
PART NO.		KKxx61x4xxxxG			DWG NO.		8KK0102
APPROVED		CHECKED	DESIGNED	DRAWN	CUST NO.		Tolerance
			Aaron 2011.12.15	Chen Bo 2010.08.24			X. ±0.50
						UNIT: mm	X.X ±0.30
				SHEET: 01/01		SCALE: NONE	X.XX ±0.10
						REV.: D	X° ±1°