

DIMENSION

Dim A	$(N-1) \times 5.08 + 6.58$
Dim B	$(N-1) \times 5.08$
Dim C	$(N+1) \times 5.08 + 5.04$

N = Number of poles

Poles	Tolerance
2p-6p	± 0.15
7p-12p	± 0.20
13p-18p	± 0.30
19p-24p	± 0.40

SIGN	DATE	DESCRIPTION	APPROVER
△	12/02'08	With flange screw changed from "-" slot type to "+/-" slot type	Jacke
△	2010.01.15	Add cULus standard	Jacke
△	2010.08.24	The design is changed	Jacke
△	2010.08.24	The design is changed	Jacke
△	07/10'12	Add the dimension	Chen Bo
△	07/10'12	Change the material of contact from Brass to Copper	Chen Bo

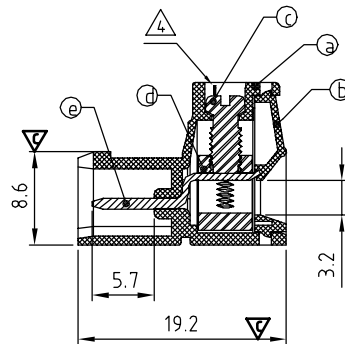
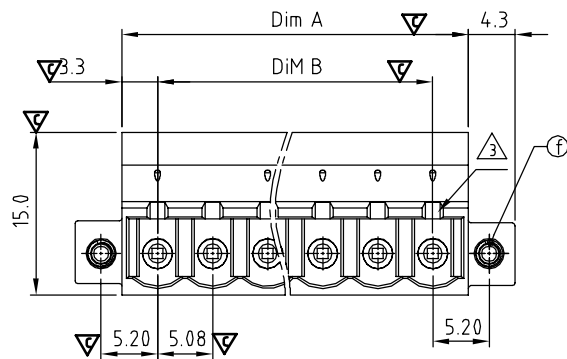
THIS IS CAD DRAWING, DO NOT REVISE MANUALLY!!!

Material

- Item ③ Terminal (housing): PA66 (UL94V-0)
- Item ④ Terminal (Cover): PA66 (UL94V-0)
- Item ⑤ Terminal screw: Steel Zinc plating "-" slot type
- Item ⑥ Clamp: Brass (CuZn) Ni plating
- Item ⑦ Male Contact Pin: Copper, Tin plated
- Item ⑧ Flange Screw: Steel Zinc plating "+/-" slot type M2.5

Electrical

- Voltage rating: 300VAC
- Current rating: 20A
- Wire range:
- Solid wire (AWG): 12-24
- Stranded wire (AWG): 12-24
- Torque: 4Lb-In
- Screw: M3
- Wire strip length: 7-8mm
- Withstanding Voltage: 1.6KV
- Operating temperature: -40°C to +115°C
- Safety Approval:
- Critical dimension:



V8 xx 51 x 2 xxxx G

- | | | |
|----------------|----------------------|---|
| No. OF POLES | Color | G RoHS compliant (lead<4%)
In copper Alloy |
| 02 2 CONTACTS | 0 Black (RAL9005) | 0000: "@" Logo (Standard) |
| 03 3 CONTACTS | 2 Red (RAL3001/D) | 000A: "ANYTEK" Mark |
| | 3 Orange (RAL2011/P) | Any special item by customer request. |
| 24 24 CONTACTS | 4 Yellow (RAL1018/A) | please contact sales department. |
| | 5 Green (RAL6018/T) | |
| | 6 Blue (RAL5015/A) | |
| | 8 Grey (RAL7035/D) | |

ANYTEK				CUSTOMER COPY			
ALL RIGHTS RESERVED. REPRODUCTION OR ISSUE TO THIRD PARTIES IN ANY FORM WHATSOEVER IS NOT PERMITTED WITHOUT WRITTEN AUTHORITY FROM THE PROPRIETOR. PROPERTY OF ANYTEK TECHNOLOGY CO., LTD							
TITLE	V8 5.08 Series With flange Screw type						
PART NO.	V8xx51x2xxxxG			DWG NO.	8V80303		
APPROVED	CHECKED	DESIGNED	DRAWN	CUST NO.	Tolerance		
		Chen Bo 07/10'12	Chen Bo 07/10'12		UNIT: mm	X.	± 0.50
					SCALE: NONE	X.X	± 0.30
					REV.: F	X.XX	± 0.10
					SHEET: 01/01	X°	$\pm 1°$