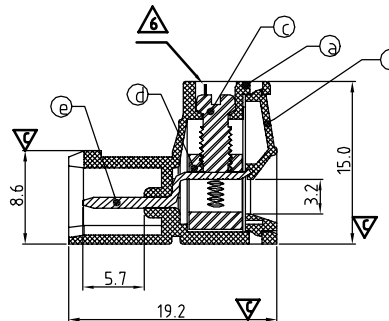
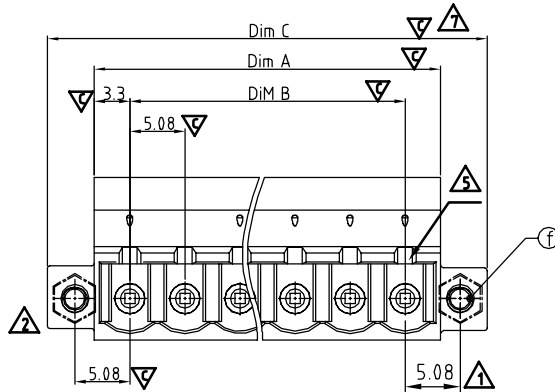


DIMENSION

Dim A	$(N-1) \times 5.08 + 6.58$
Dim B	$(N-1) \times 5.08$
Dim C	$(N+1) \times 5.08 + 5.04$

N = Number of poles

Poles	Tolerance
2p-6p	± 0.15
7p-12p	± 0.20
13p-18p	± 0.30
19p-24p	± 0.40



V8 xx 51 x 1 xxxx G

No. OF POLES
 02 2 CONTACTS
 03 3 CONTACTS

 24 24 CONTACTS

Color
 0 Black (RAL9005)
 2 Red (RAL3001/D)
 3 Orange(RAL2011/P)
 4 Yellow(RAL1018/A)
 5 Green(RAL6018/T)
 6 Blue (RAL5015/A)
 8 Grey(RAL7035/D)

G RoHS compliant (lead-4%)
In copper Alloy
 0000: "@ " Logo (Standard)
 000A: "ANYTEK" Mark
 Any special item by customer request, please contact sales department.

SIGN	DATE	DESCRIPTION	APPROVER
⚠	08.10.17	The dimension is changed from 5.2mm to 5.08mm	Seamus
⚠	2009.10.30	The design is changed from the round hole to hexagonal hole.	Seamus
⚠	2009.10.30	The Torque is changed	Jacke
⚠	2010.01.15	Add cULus standard	Jacke
⚠	2010.08.24	The design is changed	Jacke
⚠	2010.08.24	The design is changed	Jacke
⚠	2010.09.27	Add the dimension	Jacke
⚠	07/10`12	Change the material of contact from Brass to Copper	Chen Bo

THIS IS CAD DRAWING, DO NOT REVISE MANUAL Y!!!

Material

- Item Ⓐ Terminal(housing):Thermoplastic (UL94V-0)
- Item Ⓑ Terminal (Cover):Thermoplastic (UL94V-0)
- Item Ⓒ Terminal screw:Steel Zinc plating "-" slot type
- Item Ⓓ Clamp:Brass(CuZn), Ni plating
- Item Ⓔ Male Contact Pin: Copper, Tin plated
- Item Ⓕ Flange nut: Brass M2.5

Electrical

- Voltage rating: 300VAC
- Current rating: 20A
- Wire range:
- Solid wire(AWG): 12-24
- Stranded wire(AWG): 12-24
- ⚠ ● Torque: 4Lb-In
- Screw: M3
- Wire strip length: 7-8mm
- Withstanding Voltage: 1.6KV
- Operating temperature: -40°C to +115°C
- ⚠ ● Safety Approval: cULus
- Critical dimension: ∇

ANYTEK				CUSTOMER COPY					
								<small>ALL RIGHTS RESERVED. REPRODUCTION OR ISSUE TO THIRD PARTIES IN ANY FORM WHATSOEVER IS NOT PERMITTED WITHOUT WRITTEN AUTHORITY FROM THE PROPRIETOR. PROPERTY OF ANYTEK TECHNOLOGY CO., LTD</small>	
TITLE		V8 5.08 Series With flange Nut type							
PART NO.		V8xx51x1xxxxG			DWG NO.		8V80302		
APPROVED		CHECKED		DESIGNED		DRAWN		CUST NO.	
				Chen Bo 07/10`12		Chen Bo 07/10`12			
								Tolerance	
								X. ±0.50	
								X.X ±0.30	
								X.XX ±0.10	
								X° ±1°	