



SIGN	DATE	DESCRIPTION	APPROVER
⚠	2010.01.15	Add cULus standard	Jacke
⚠	2010.08.24	The design is changed	Jacke
⚠	2010.08.24	The design is changed	Jacke
⚠	07/10`12	Change the material of contact from Brass to Copper	Chen Bo

THIS IS CAD DRAWING, DO NOT REVISE MANUALLY!!!

Material

- ItemⒶ Terminal(housing):Thermoplastic (UL94V-0)
- ItemⒷ Terminal (Cover):Thermoplastic (UL94V-0)
- ItemⒸ Terminal screw:Steel Zinc plating“-” slot type
- ItemⒹ Clamp:Brass(CuZn) Ni plating
- ⚠ ItemⒺ Male contact Pin: Copper, Tin plated

Electrical cULus

- Voltage rating: 300VAC
- Current rating: 20A
- Wire range:
- Solid wire(AWG): 12-24
- Stranded wire(AWG): 12-24
- Torque: 4Lb-In
- Screw: M3
- Wire strip length: 7-8mm
- Withstanding Voltage: 1.6KV
- Operating temperature: -40°C to +115°C
- Safety Approval: 
- Critical dimension: 

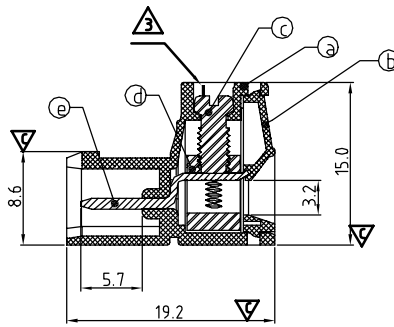
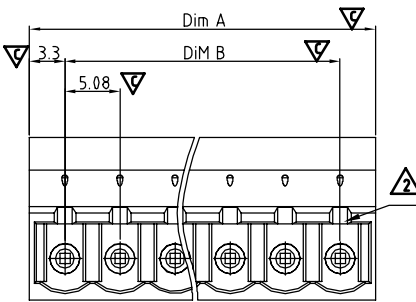
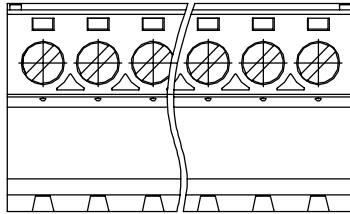
V8 xx 51 x 0 xxxx G

No. OF POLES
 02 2 CONTACTS
 03 3 CONTACTS

 24 24 CONTACTS

Color
 0 Black (RAL9005)
 2 Red (RAL3001/D)
 3 Orange(RAL2011/P)
 4 Yellow(RAL1018/A)
 5 Green(RAL6018/T)
 6 Blue (RAL5015/A)
 8 Grey(RAL7035/D)

G RoHS compliant (lead<4%) In copper Alloy
 0000: "@ " Logo (Standard)
 000A: "ANYTEK" Mark
 Any special item by customer request. please contact sales department.

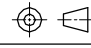


N = Number of poles

DIMENSION

Dim A	(N-1)X5.08+6.58
Dim B	(N-1)X5.08

Poles	Tolerance
2p-6p	±0.15
7p-12p	±0.20
13p-18p	±0.30
19p-24p	±0.40

ANYTEK				CUSTOMER COPY			
ALL RIGHTS RESERVED. REPRODUCTION OR ISSUE TO THIRD PARTIES IN ANY FORM WHATSOEVER IS NOT PERMITTED WITHOUT WRITTEN AUTHORITY FROM THE PROPRIETOR. PROPERTY OF ANYTEK TECHNOLOGY CO., LTD							
TITLE		V8 5.08 Series W/O flange					
PART NO.		V8xx51x0xxxxG			DWG NO.		8V80301
APPROVED		CHECKED		DESIGNED		DRAWN	
		Chen Bo 07/10`12		Chen Bo 07/10`12			
				CUST NO.		Tolerance	
						UNIT: mm	
						SCALE: NONE	
						REV.: E	
				SHEET: 01/01		X. ±0.50 X.X ±0.30 X.XX ±0.10 X° ±1°	