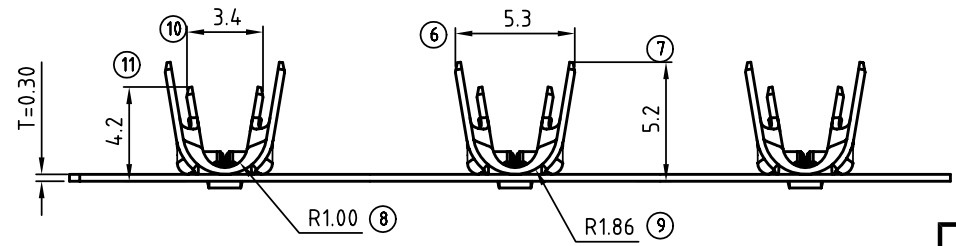
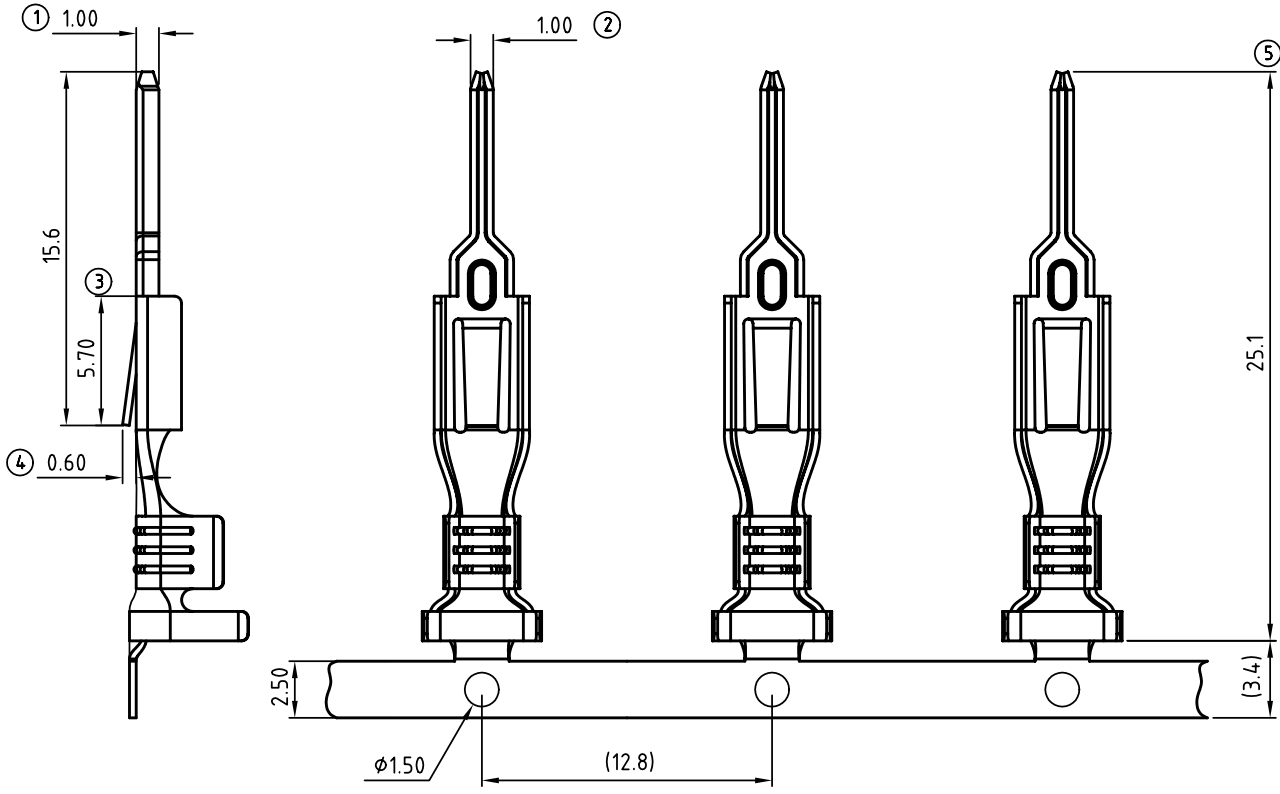


| | | | |
|------|------|-------------|----------|
| SIGN | DATE | DESCRIPTION | APPROVER |
| △ | | | |

THIS IS CAD DRAWING, DO NOT REVISE MANUALLY!!!



Note:

- Module female contact, is inserted into the plug housing KV5.08 after crimping the conductor, for conductors from 1.5 to 2.5 mm²

Material data:

- Female contact : PhBz , Tin plated.

Connection data:

- Wire strip length: 7 mm
- Wire range: 1.5 ~ 2.5mm²
- Stranded wire(AWG): 14 - 16
- Core diameter including insulation : 2.11 mm ... 3.1 mm

ANYTEK

CUSTOMER COPY

ALL RIGHTS RESERVED. REPRODUCTION OR ISSUE TO THIRD PARTIES IN ANY FORM WHATSOEVER IS NOT PERMITTED WITHOUT WRITTEN AUTHORITY FROM THE PROPRIETOR. PROPERTY OF ANYTEK TECHNOLOGY CO., LTD

| | | | | | | | |
|----------|---------|--|------------|--------------|---------|------------|------------|
| TITLE | | ARS.08 SERIES AWG 16~14 (1.5~2.5 mm ²) | | | | | |
| PART NO. | | AR0000000000G | | DWG NO. | | 8AR0001 | |
| APPROVED | CHECKED | DESIGNED | DRAWN | CUST NO. | | Tolerance | |
| | | Kind | Kind | | | X. ±0.50 | |
| | | 2010.01.06 | 2009.08.08 | | | UNIT: mm | X.X ±0.30 |
| | | | | | | SCALE: 2/1 | X.XX ±0.10 |
| | | | | SHEET: 01/01 | REV.: B | X° ±1° | |