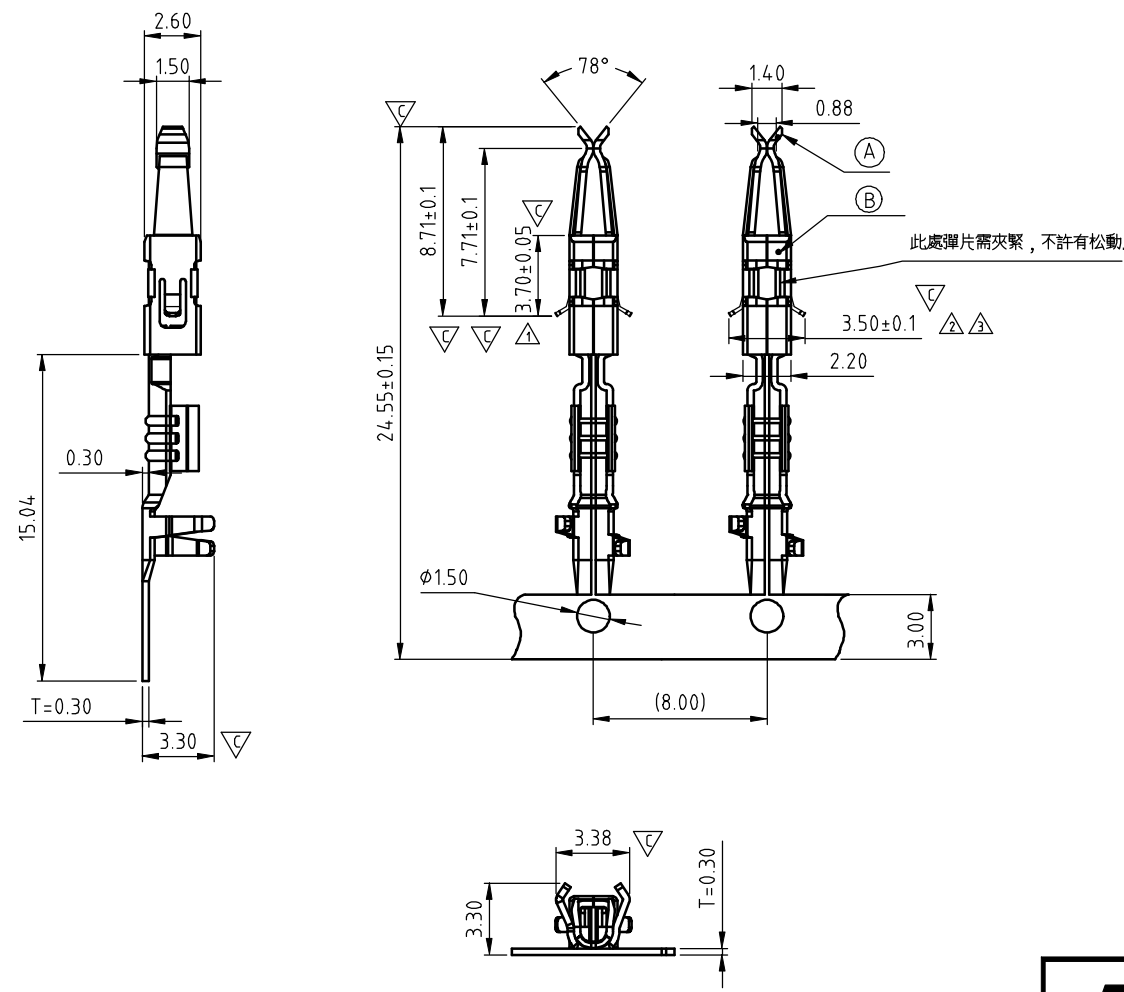


SIGN	DATE	DESCRIPTION	APPROVER
△	10/14/09	The dimension changed from 3.91to3.70	Kind
△	10/14/09	The dimension changed from 3.20to3.30+0.20/-0	Kind
△	05/15/14	The dimension changed from 3.30+0.05/-0.05 to 3.50+0.10/-0.10	Chen Bo
THIS IS CAD DRAWING, DO NOT REVISE MANUALLY!!!			



NOTE:
 1.MATERIAL:
 ● Item a Wire guard:PHBZ(T=0.3mm),Tin plated.
 ● Item b Spring : Stainless steel(T=0.15mm)
 ● Male contact is inserted into the plug housing KI 3.81 after crimping the conductor, for conductors from 0.5 to 1.0 mm²
 ● Critical dimension: ∇

ANYTEK				CUSTOMER COPY			
ALL RIGHTS RESERVED. REPRODUCTION OR ISSUE TO THIRD PARTIES IN ANY FORM WHATSOEVER IS NOT PERMITTED WITHOUT WRITTEN AUTHORITY FROM THE PROPRIETOR. PROPERTY OF ANYTEK TECHNOLOGY CO., LTD							
TITLE		AO 3.81 腳子彈片成品 (wire range 0.5~1.0mm ²)					
PART NO.		A00000000000G			DWG NO.		8A00001
APPROVED		DESIGNED	DRAWN	CUST NO.		Tolerance	
		Chen Bo	Chen Bo			X.	±0.50
		05/15/14	05/15/14			X.X	±0.30
						X.XX	±0.10
						X°	±1°
				SHEET: 01/01		UNIT: mm	
						SCALE: NONE	
						REV.: D	