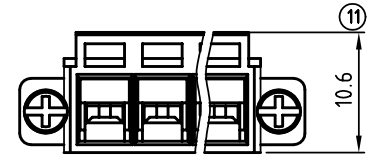
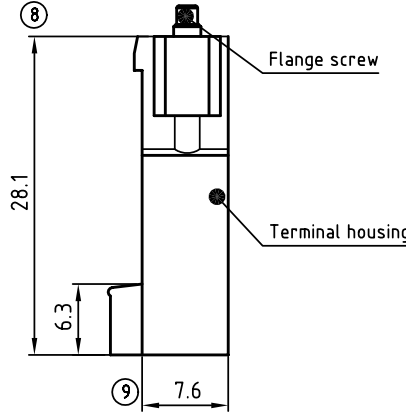
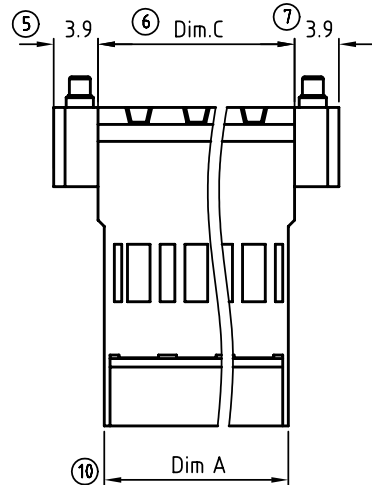
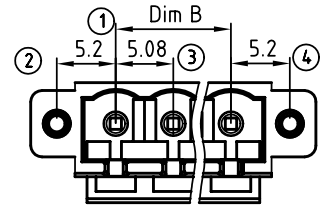


SIGN	DATE	DESCRIPTION	APPROVER
△			
THIS IS CAD DRAWING, DO NOT REVISE MANUALLY!!!			



Material:

- Item : Terminal housing: Thermoplastic (UL94 V-0)
- Item : Flange screw: Steel Zinc plated, M2.5, "+/-" slot type

Electrical (Match with AR series)

- Voltage rating: 300V
- Current rating: 10A
- Wire range: 1.5 ~ 2.5mm²
- Withstanding Voltage: 1.6KV

KV xx 50 x 4 xxxx G

- No. OF POLES
- 02 2 CONTACTS
 - 03 3 CONTACTS
 -
 - 24 24 CONTACTS

- Color
- 0 Black (RAL9005)
 - 2 Red (RAL3001/D)
 - 3 Orange (RAL2011/P)
 - 4 Yellow (RAL1018/A)
 - 5 Green (RAL6018/T)
 - 6 Blue (RAL5015/A)
 - 8 Grey (RAL7035/D)

G: Pb<40000ppm

0000: "@" Logo (Standard)

000A: "ANYTEK" Mark

Any special item by customer request. please contact sales department.

N = Number of poles
 Dim A = N x 5.08 + 1.0
 Dim B = (N - 1) x 5.08
 Dim C = N x 5.08 + 2.1

	Dim A	Dim B	Dim C
2-6p	±0.10	±0.15	±0.15
7-12p	±0.20	±0.20	±0.20
13-16p	±0.30	±0.25	±0.25
17-24p	±0.40	±0.35	±0.35

ANYTEK				CUSTOMER COPY			
<small>ALL RIGHTS RESERVED. REPRODUCTION OR ISSUE TO THIRD PARTIES IN ANY FORM WHATSOEVER IS NOT PERMITTED WITHOUT WRITTEN AUTHORITY FROM THE PROPRIETOR. PROPERTY OF ANYTEK TECHNOLOGY CO., LTD</small>							
TITLE		KV 5.08 SERIES (Flange With Screw & High profile)					
PART NO.		KVxx50x4xxxxG		DWG NO.		8KV0005	
APPROVED	CHECKED	DESIGNED	DRAWN	CUST NO.		Tolerance	
		Kind	Kind			UNIT: mm	X. ±0.50
		2009.12.15	2009.08.10			SCALE: 2/1	X.X ±0.30
				SHEET: 01/01		REV: B	X° ±1°