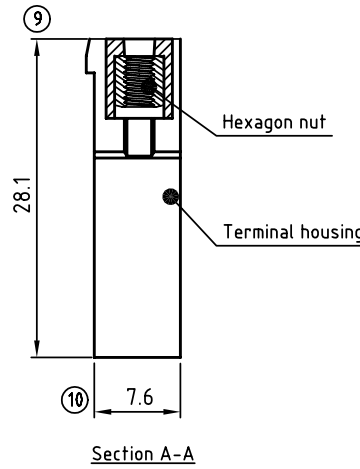
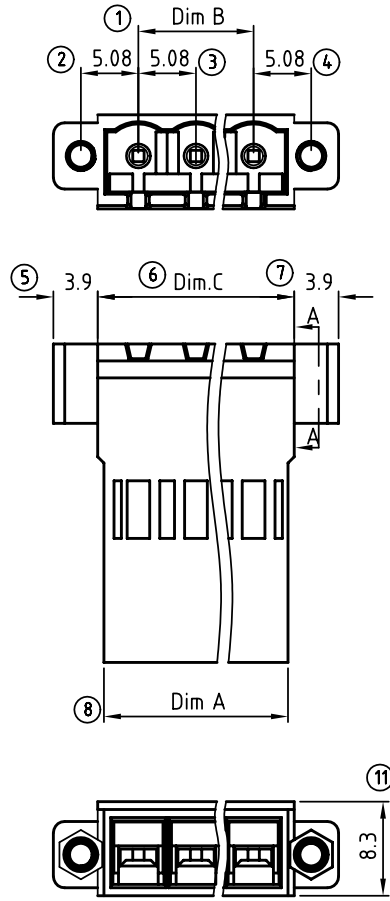


SIGN	DATE	DESCRIPTION	APPROVER
△			

THIS IS CAD DRAWING, DO NOT REVISE MANUALLY!!!



Material:

- Item :Terminal housing:Thermoplastic (UL94 V-0)
- Item : Hexagon nut : Brass , M2.5

Electrical (Match with AR series)

- Voltage rating: 300V
- Current rating: 10A
- Wire range: 1.5~2.5mm²
- Withstanding Voltage: 1.6KV

KV xx 50 x 2 xxxx G

No. OF POLES

- 02 2 CONTACTS
- 03 3 CONTACTS
-
- 24 24 CONTACTS

Color

- 0 Black (RAL9005)
- 2 Red (RAL3001/D)
- 3 Orange(RAL2011/P)
- 4 Yellow(RAL1018/A)
- 5 Green(RAL6018/T)
- 6 Blue (RAL5015/A)
- 8 Grey(RAL7035/D)

G: Pb<40000ppm
 0000: "@ " Logo (Standard)
 000A: "ANYTEK" Mark
 Any special item by customer request.
 please contact sales department.

N = Number of poles

Dim A=Nx5.08+1.0

Dim B=(N-1)x5.08

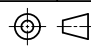
Dim C=Nx5.08+2.1

	Dim A	Dim B	Dim C
2-6p	±0.10	±0.15	±0.15
7-12p	±0.20	±0.20	±0.20
13-16p	±0.30	±0.25	±0.25
17-24p	±0.40	±0.35	±0.35

ANYTEK

CUSTOMER COPY

ALL RIGHTS RESERVED. REPRODUCTION OR ISSUE TO THIRD PARTIES IN ANY FORM WHATSOEVER IS NOT PERMITTED WITHOUT WRITTEN AUTHORITY FROM THE PROPRIETOR. PROPERTY OF ANYTEK TECHNOLOGY CO., LTD

TITLE		KV 5.08 SERIES (Flange With Nut & Low profile)				
PART NO.		KVxx50x2xxxxG		DWG NO.		8KV0003
APPROVED	CHECKED	DESIGNED	DRAWN	CUST NO.		Tolerance
		Kind	Kind			X. ±0.50
		2009.12.15	2009.08.10			UNIT: mm
				SHEET: 01/01		X.XX ±0.10
				REV.: B		X° ±1°