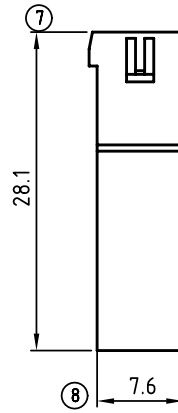
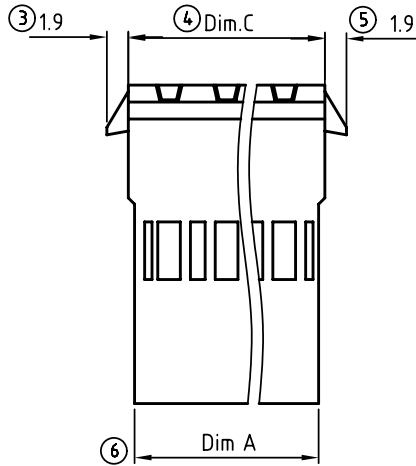
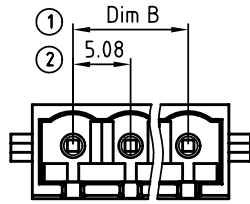


SIGN	DATE	DESCRIPTION	APPROVER
△			
<b>THIS IS CAD DRAWING, DO NOT REVISE MANUALLY!!!</b>			



Material:

- Item :Terminal housing:Thermoplastic (UL94 V-0)

Electrical ( Match with AR series )

- Voltage rating: 300V
- Current rating: 10A
- Wire range: 1.5~2.5mm<sup>2</sup>
- Withstanding Voltage: 1.6KV

**KV xx 50 x 0 xxxx G**

No. OF POLES  
02 2 CONTACTS  
03 3 CONTACTS  
... ..  
24 24 CONTACTS

Color  
0 Black (RAL9005)  
2 Red (RAL3001/D)  
3 Orange(RAL2011/P)  
4 Yellow(RAL1018/A)  
5 Green(RAL6018/T)  
6 Blue (RAL5015/A)  
8 Grey(RAL7035/D)

G: Pb<40000ppm  
0000: "@" Logo (Standard)  
000A: "ANYTEK" Mark  
Any special item by customer request. please contact sales department.

N = Number of poles  
Dim A=Nx5.08+1.0  
Dim B=(N-1)x5.08  
Dim C=Nx5.08+2.1

	Dim A	Dim B	Dim C
2-6p	±0.10	±0.15	±0.15
7-12p	±0.20	±0.20	±0.20
13-16p	±0.30	±0.25	±0.25
17-24p	±0.40	±0.35	±0.35

**ANYTEK**

**CUSTOMER COPY**

ALL RIGHTS RESERVED. REPRODUCTION OR ISSUE TO THIRD PARTIES IN ANY FORM WHATSOEVER IS NOT PERMITTED WITHOUT WRITTEN AUTHORITY FROM THE PROPRIETOR. PROPERTY OF ANYTEK TECHNOLOGY CO., LTD

TITLE		KV 5.08 SERIES ( With Hook & Low profile )					
PART NO.		KVxx50x0xxxxG			DWG NO.		8KV0001
APPROVED	CHECKED	DESIGNED	DRAWN	CUST NO.		Tolerance	
		Kind	Kind			UNIT: mm	X. ±0.50
		2009.12.15	2009.08.10			SCALE: 2/1	X.X ±0.30
				SHEET: 01/01	REV: B	X° ±0.10	X° ±1°