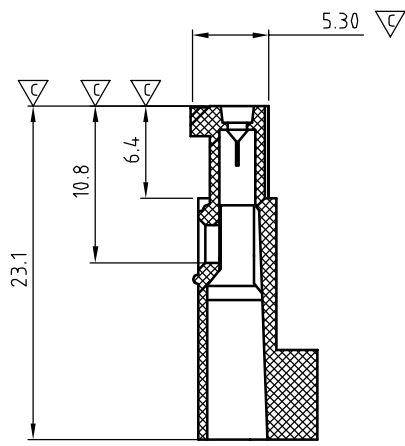
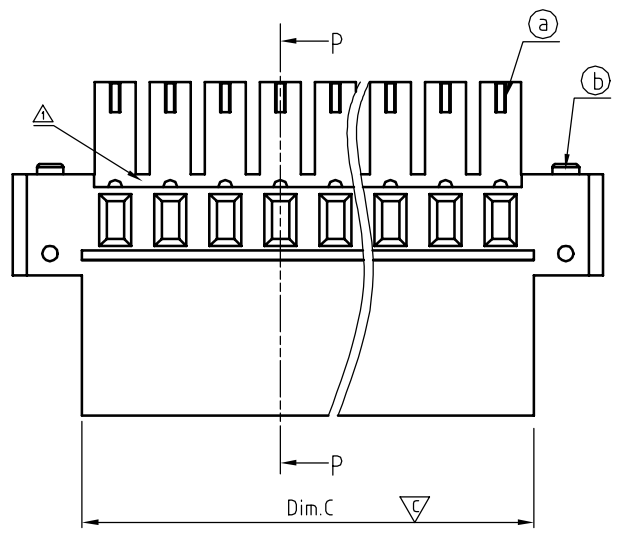
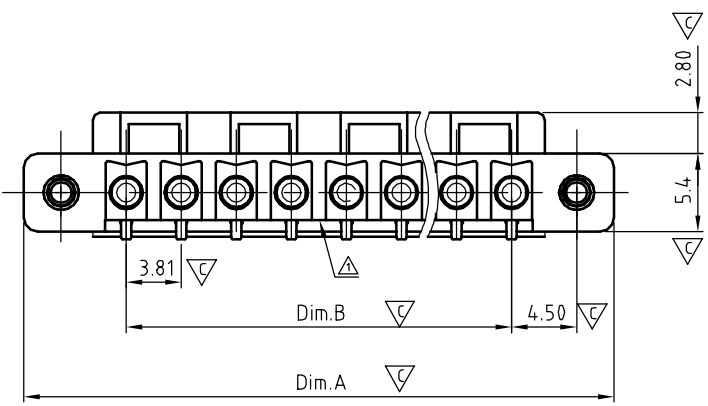


SIGN	DATE	DESCRIPTION	APPROVER
△	02/29'12	The real product doesn't comply with the drawing, remove this step THIS IS CAD DRAWING, DO NOT REVISE MANUALLY!!!	Aaron



Section P-P

Material:

- Item a :Terminal housing :Thermoplastic (UL94 V-0)
- Item b :With flange screw: Steel Zinc plated, M2.5"+/-"

Electrical (Match with AO 3.81 series)

- Voltage rating: 160V
- Current rating: 8A
- Wire range: 1.0~1.2mm²
- Withstanding Voltage: 1.32KV
- Critical dimension: ▽

KI xx 30 x 3 xxxx G

No. of poles

02	2 CONTACTS	0	Black (RAL9005)	RoHS compliant (lead<4%) In copper Alloy
03	3 CONTACTS	2	Red (RAL3001/D)	
...	...	3	Orange(RAL2011/P)	
24	24 CONTACTS	4	Yellow(RAL1018/A)	
		5	Green(RAL6018/T)	
		6	Blue (RAL5015/A)	
		8	Grey(RAL7035/D)	
		9	White(RAL1102)	
		C	Green(RAL6018/U)	

0000:"@"Logo (Standard)
000A:"ANYTEK"Logo
Any special item by customer request, please contact sales department.

Dim.A=(N-1)x3.81+14.20				
Dim.B=(N-1)x3.81				
Dim.C=(N-1)x3.81+4.60				
Poles	2P~6P	7P~12P	13P~18P	19P~24P
Dim.A	+/-0.20	+/-0.25	+/-0.30	+/-0.35
Dim.B	+/-0.15	+/-0.20	+/-0.25	+/-0.30
Dim.C	+/-0.20	+/-0.25	+/-0.30	+/-0.35

ANYTEK				CUSTOMER COPY			
<small>ALL RIGHTS RESERVED. REPRODUCTION OR ISSUE TO THIRD PARTIES IN ANY FORM WHATSOEVER IS NOT PERMITTED WITHOUT WRITTEN AUTHORITY FROM THE PROPRIETOR. PROPERTY OF ANYTEK TECHNOLOGY CO. LTD</small>							
TITLE		KI 3.81 Series 2P~24P Body (With flange & With high profile)					
PART NO.		Klxx30x3xxxxG			DWG NO.		8K10004
APPROVED		CHECKED		DESIGNED		DRAWN	
				Aaron 2012.02.29		kind 2008.9.16	
				CUST NO.		Tolerance	
				SHEET: 01/01		UNIT: mm SCALE: NONE	
				REV.: C		X. ±0.5 X.X ±0.3 X.XX ±0.1 X° ±1°	