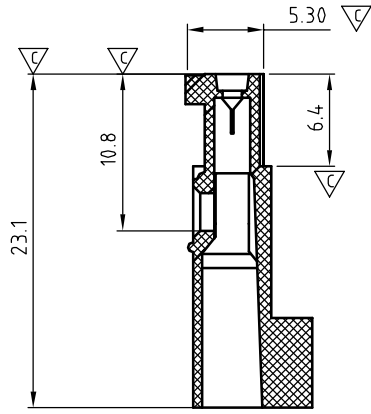
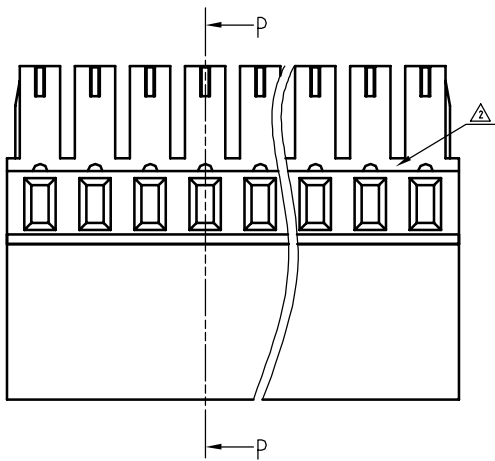
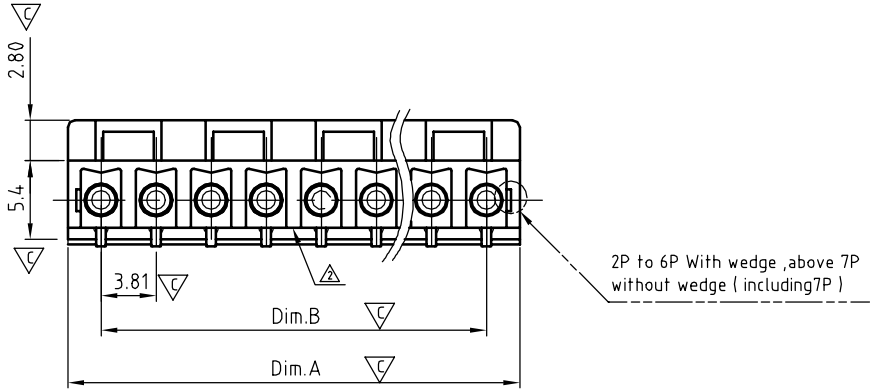


| SIGN | DATE | DESCRIPTION | APPROVER |
|------|----------|--|----------|
| △ | 10/27'09 | Dim.A and Dim.B tolerance table changed. | Kind |
| △ | 02/29'12 | The real product doesn't comply with the drawing, remove this step | Aaron |

THIS IS CAD DRAWING, DO NOT REVISE MANUALLY!!!



Section P-P

Material:

- Item 1: Terminal housing: Thermoplastic (UL94 V-0)
- Electrical (Match with AO 3.81 series)
 - Voltage rating: 160V
 - Current rating: 8A
 - Wire range: 1.0~1.2mm²
 - Withstanding Voltage: 1.32KV
 - Critical dimension: ∇

KI xx 30 x 1 xxxx G

| | | |
|----------------|---------------------|--|
| No. of poles | | RoHS compliant (lead<4%) In copper Alloy |
| 02 2 CONTACTS | 0 Black (RAL9005) | 0000:"@"Logo (Standard) |
| 03 3 CONTACTS | 2 Red (RAL3001/D) | 000A:"ANYTEK"Logo |
| ... | 3 Orange(RAL2011/P) | Any special item by customer request, please contact sales department. |
| 24 24 CONTACTS | 4 Yellow(RAL1018/A) | |
| | 5 Green(RAL6018/T) | |
| | 6 Blue (RAL5015/A) | |
| | 8 Grey(RAL7035/D) | |
| | 9 White(RAL1102) | |
| | C Green(RAL6018/U) | |

| | | | | |
|-----------------------|---------|---------|---------|---------|
| △ | | | | |
| Dim.A=(N-1)×3.81+4.60 | | | | |
| Dim.B=(N-1)×3.81 | | | | |
| Poles | 2P~6P | 7P~12P | 13P~18P | 19P~24P |
| Dim.A | +/-0.20 | +/-0.25 | +/-0.30 | +/-0.35 |
| Dim.B | +/-0.15 | +/-0.20 | +/-0.25 | +/-0.30 |

| | | | | | | | |
|--|--|---|---------------------|----------------------|----------|-------------|--|
| ANYTEK | | | | CUSTOMER COPY | | | |
| ALL RIGHTS RESERVED. REPRODUCTION OR ISSUE TO THIRD PARTIES IN ANY FORM WHATSOEVER IS NOT PERMITTED WITHOUT WRITTEN AUTHORITY FROM THE PROPRIETOR. PROPERTY OF ANYTEK TECHNOLOGY CO. LTD | | | | | | | |
| TITLE | | KI 3.81 Series 2P~24P Body (W/o flange & With high profile) | | | | | |
| PART NO. | | Klxx30x1xxxxG | | | DWG NO. | | 8KI0002 |
| APPROVED | | CHECKED | DESIGNED | DRAWN | CUST NO. | | Tolerance |
| | | | Aaron 2012.02.29 | kind 2008.9.16 | | | X. ±0.5 X.X ±0.3 X.XX ±0.1 X° ±1° |
| | | | | SHEET: 01/01 | | UNIT: mm | |
| | | | | | | SCALE: NONE | |
| | | | | | | REV.: D | |