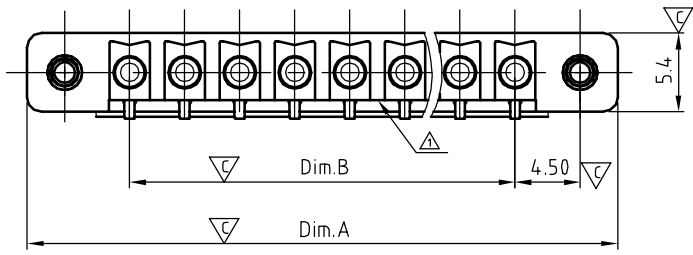


SIGN	DATE	DESCRIPTION	APPROVER
△	02/29'12	The real product doesn't comply with the drawing, remove this step	Aaron
THIS IS CAD DRAWING, DO NOT REVISE MANUALLY!!!			

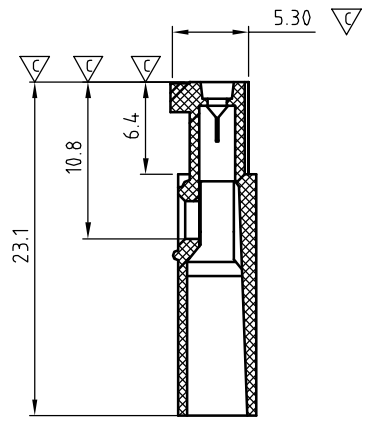
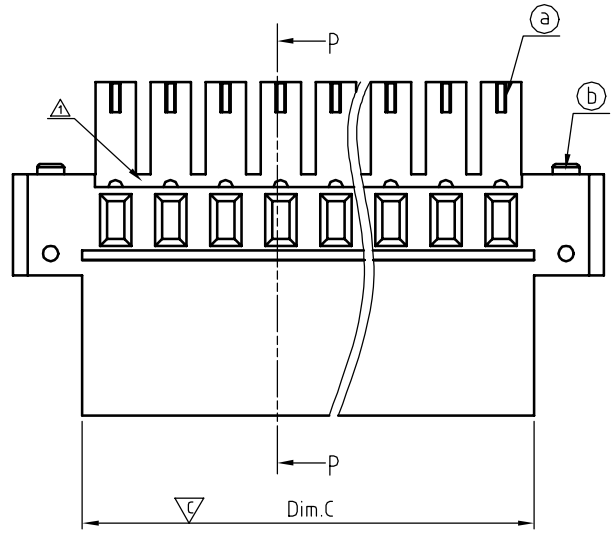


Material:

- Item a :Terminal housing:Thermoplastic (UL94 V-0)
- Item b :With flange screw: Steel Zinc plated, M2.5"/+/-"

Electrical (Match with AO 3.81 series)

- Voltage rating: 160V
- Current rating: 8A
- Wire range: 1.0~1.2mm²
- Withstanding Voltage: 1.32KV
- Critical dimension: ▽



Section P-P

KI xx 30 x 2 xxxx G

No. of poles

02	2 CONTACTS	0	Black (RAL9005)	RoHS compliant (lead<4%) In copper Alloy
03	3 CONTACTS	2	Red (RAL3001/D)	
...	...	3	Orange(RAL2011/P)	
24	24 CONTACTS	4	Yellow(RAL1018/A)	
		5	Green(RAL6018/T)	
		6	Blue (RAL5015/A)	
		8	Grey(RAL7035/D)	0000:"@ "Logo (Standard) 000A:"ANYTEK"Logo Any special item by customer request, please contact sales department.
		9	White(RAL1102)	
		C	Green(RAL6018/U)	

Dim.A=(N-1)x3.81+14.20
Dim.B=(N-1)x3.81
Dim.C=(N-1)x3.81+4.60

Poles	2P~6P	7P~12P	13P~18P	19P~24P
Dim.A	+/-0.20	+/-0.25	+/-0.30	+/-0.35
Dim.B	+/-0.15	+/-0.20	+/-0.25	+/-0.30
Dim.C	+/-0.20	+/-0.25	+/-0.30	+/-0.35

ANYTEK				CUSTOMER COPY			
ALL RIGHTS RESERVED. REPRODUCTION OR ISSUE TO THIRD PARTIES IN ANY FORM WHATSOEVER IS NOT PERMITTED WITHOUT WRITTEN AUTHORITY FROM THE PROPRIETOR. PROPERTY OF ANYTEK TECHNOLOGY CO., LTD							
TITLE		KI 3.81 Series 2P~24P Body (With flange & W/o high profile)					
PART NO.		Klxx30x2xxxxG			DWG NO.		8K10003
APPROVED		CHECKED	DESIGNED	DRAWN	CUST NO.		Tolerance
			Aaron 2012.02.29	kind 2008.9.16			X. ±0.5 X.X ±0.3 X.XX ±0.1 X° ±1°
		SHEET: 01/01		UNIT: mm SCALE: NONE		REV.: C	