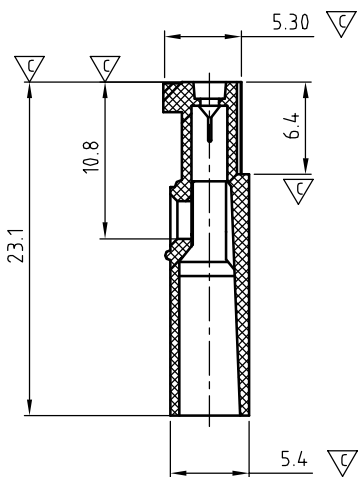
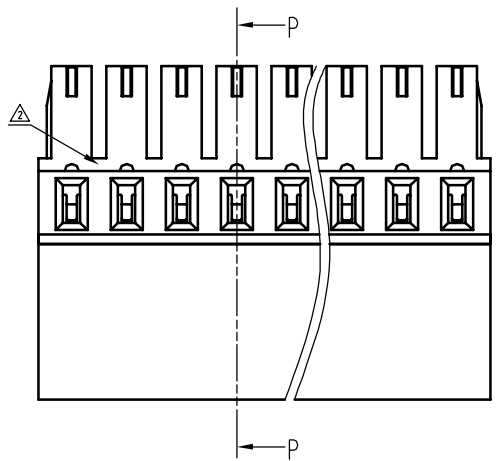
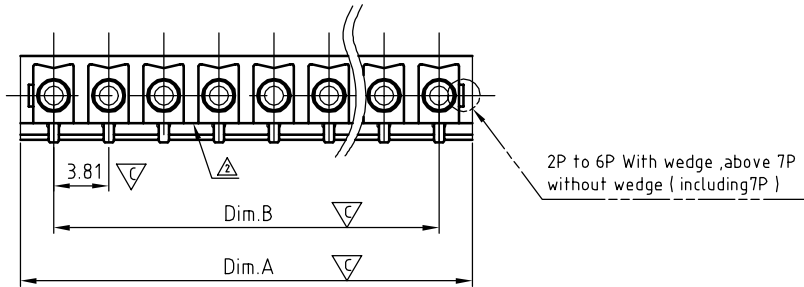


SIGN	DATE	DESCRIPTION	APPROVER
△	10/27'09	Dim.A and Dim.B tolerance fable changed.	Kind
△	02/29'12	The real product doesn't comply with the drawing, remove this step	Aaron

**THIS IS CAD DRAWING, DO NOT REVISE MANUALLY!!!**



Section P-P

Material:

- Item 1: Terminal housing: Thermoplastic (UL94 V-0)

Electrical (Match with A0 3.81 series)

- Voltage rating: 160V
- Current rating: 8A
- Wire range: 1.0~1.2mm<sup>2</sup>
- Withstanding Voltage: 1.32KV
- Critical dimension: ▽

**KI xx 30 x 0 xxxx G**

<p>No. of poles</p> <p>02 2 CONTACTS</p> <p>03 3 CONTACTS</p> <p>... ..</p> <p>24 24 CONTACTS</p>	<p>0 Black (RAL9005)</p> <p>2 Red (RAL3001/D)</p> <p>3 Orange(RAL2011/P)</p> <p>4 Yellow(RAL1018/A)</p> <p>5 Green(RAL6018/T)</p> <p>6 Blue (RAL5015/A)</p> <p>8 Grey(RAL7035/D)</p> <p>9 White(RAL1102)</p> <p>C Green(RAL6018/U)</p>	<p>RoHS compliant (lead&lt;4%) In copper Alloy</p> <p>0000:"@“Logo (Standard)</p> <p>000A:"ANYTEK“Logo</p> <p>Any special item by customer request, please contact sales department.</p>
---	--	--

△				
Dim.A=(N-1)×3.81+4.60				
Dim.B=(N-1)×3.81				
Poles	2P~6P	7P~12P	13P~18P	19P~24P
Dim.A	+/-0.20	+/-0.25	+/-0.30	+/-0.35
Dim.B	+/-0.15	+/-0.20	+/-0.25	+/-0.30

<h1>ANYTEK</h1>				<b>CUSTOMER COPY</b>			
ALL RIGHTS RESERVED. REPRODUCTION OR ISSUE TO THIRD PARTIES IN ANY FORM WHATEVER IS NOT PERMITTED WITHOUT WRITTEN AUTHORITY FROM THE PROPRIETOR. PROPERTY OF ANYTEK TECHNOLOGY CO., LTD							
TITLE		KI 3.81 Series 2P~24P Body ( W/o flange & W/o high profile )					
PART NO.		Klxx30x0xxxxG			DWG NO.		8K10001
APPROVED		CHECKED	DESIGNED	DRAWN	CUST NO.		Tolerance
			Aaron 2012.02.29	kind 2008.9.16			X. ±0.5
						UNIT: mm	X.X ±0.3
				SHEET: 01/01		SCALE: NONE	X.XX ±0.1
						REV.: D	X° ±1°