

SIGN	DATE	DESCRIPTION	APPROVER
△	11/09'11	Add is cULus	Aaron
△	11/09'11	The Dim.C is added	Aaron

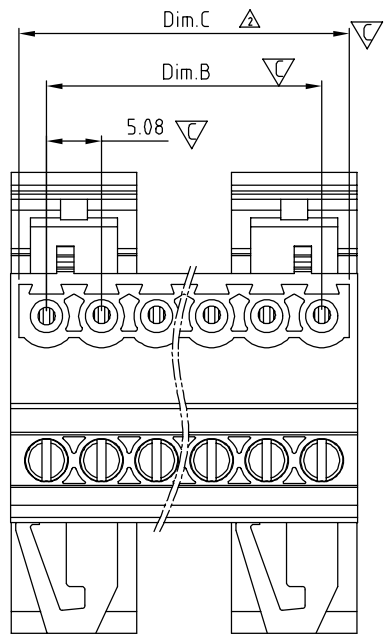
*THIS IS CAD DRAWING, DO NOT REVISE MANUALLY!!!*

- Material:
- Item Ⓐ Clamp: Brass Ni plated
  - Item Ⓑ Terminal (housing): Thermoplastic (UL94V-0)
  - Item Ⓒ Terminal (Cover): Thermoplastic (UL94V-0)
  - Item Ⓓ Male contact: PhBz, Tin plated.
  - Item Ⓔ Terminal screw: Steel Zinc plating " - " slot type
  - Item Ⓕ Terminal(track): Thermoplastic (UL94V-0)

- Electrical: cULus
- Voltage rating: 300V
  - Current rating: 12A
  - Wire range:
  - Solid wire(AWG):12-30
  - Stranded wire(AWG):12-30
  - Torque:5.2Lb-In.
  - Screw:M3
  - Wire strip length: 6-7 mm
  - Withstanding Voltage: 1.6KV
  - Operating temperature:-40°C to +115°C
- △ ● Safety Approval: **ULus**
- Critical dimension: ▽
  - Part No.:

**V9 xx 5 1 x 4 xxxx G**

- |              |                    |                                       |
|--------------|--------------------|---------------------------------------|
| No. OF POLES |                    | G: Pb<40000ppm                        |
| 02: 2 POLES  |                    | 0000: "@" Logo (Standard)             |
| 03: 3 POLES  |                    | 000A: "ANYTEK" Mark                   |
| ⋮            |                    | Any special item by customer request. |
| 24: 24 POLES |                    | please contact sales department.      |
|              | Color              |                                       |
|              | 0 Black (RAL9005)  |                                       |
|              | 5 Green(RAL6018/T) |                                       |
|              | 6 Blue (RAL5015/A) |                                       |
|              | 8 Grey(RAL7035/D)  |                                       |
|              | C Green(RAL6018/U) |                                       |

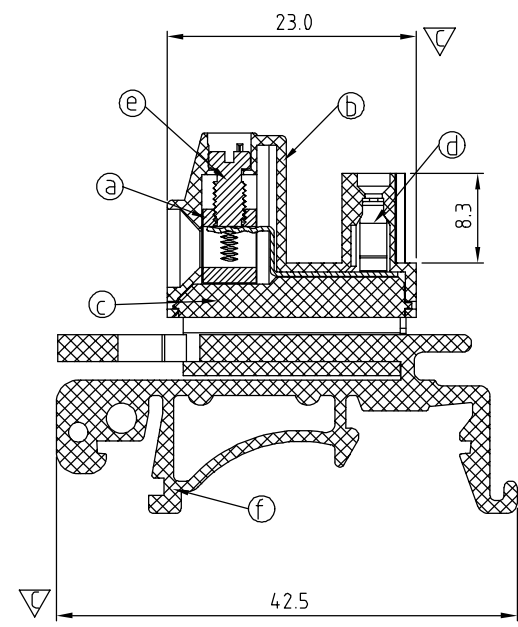
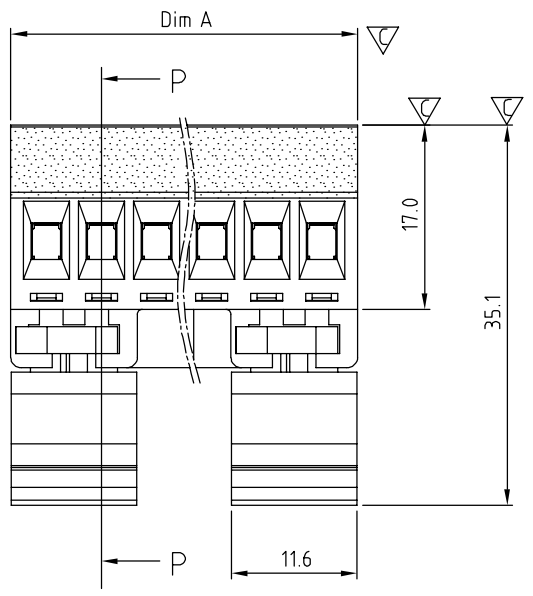


Dimension

Dim.A	$(N-1) \times 5.08 + 6.6$
Dim.B	$(N-1) \times 5.08$
Dim.C	$N \times 5.08$

N=Number of poles

Poles	Tolerance
2P - 6P	±0.15
7P - 12P	±0.20
13P - 18P	±0.30
19P - 24P	±0.40



SECTION P-P

<b>ANYTEK</b>		<b>CUSTOMER COPY</b>	
ALL RIGHTS RESERVED. REPRODUCTION OR ISSUE TO THIRD PARTIES IN ANY FORM WHATSOEVER IS NOT PERMITTED WITHOUT WRITTEN AUTHORITY FROM THE PROPRIETOR. PROPERTY OF ANYTEK TECHNOLOGY CO., LTD			
TITLE	V9-5.08 mm Series 2P-24P W/O Flange ( Dinrail holder B type )		
PART NO.	V9xx51x4xxxxG	DWG NO.	8V90002
APPROVED	CHECKED	DESIGNED	DRAWN
		Aaron 2011.11.09	Tony 2008.01.19
SHEET: 01/01		Tolerance	
UNIT: mm		X.	±0.50
SCALE: NONE		X.X	±0.30
REV.: C		X.XX	±0.10
		X°	±1°