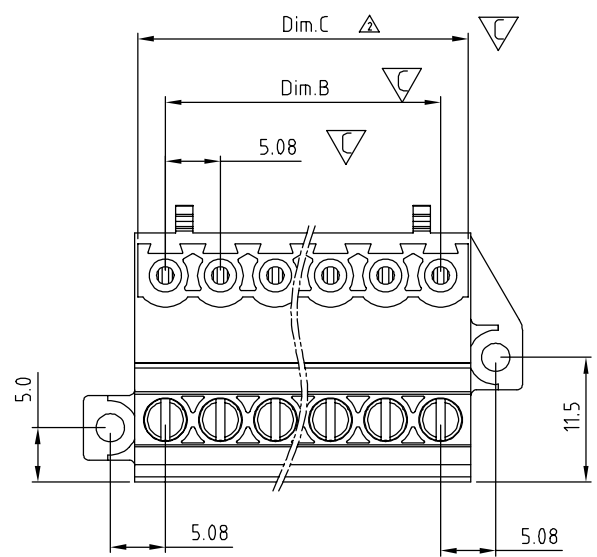


SIGN	DATE	DESCRIPTION	APPROVER
△	11/09'11	Add is cULus	Aaron
△	11/09'11	The Dim C is added	Aaron

THIS IS CAD DRAWING, DO NOT REVISE MANUALLY!!!



Dimension

Dim.A	$(N-1) \times 5.08 + 5.6$
Dim.B	$(N-1) \times 5.08$
Dim.C	$N \times 5.08$

N=Number of poles

Poles	Tolerance
2P - 6P	±0.15
7P - 12P	±0.20
13P - 18P	±0.30
19P - 24P	±0.40

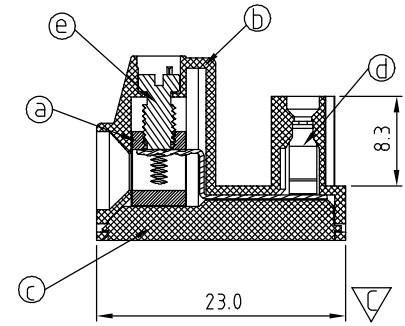
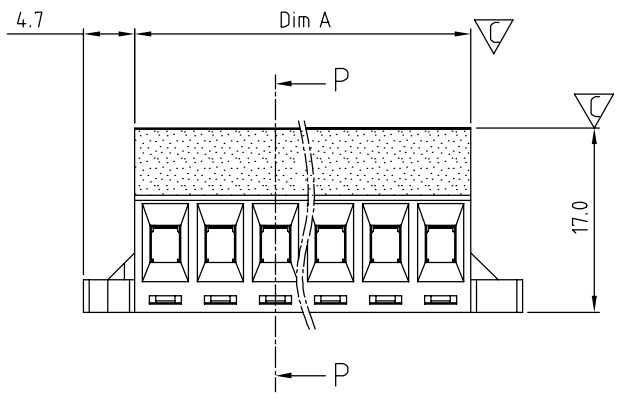
- Material:**
- Item ③ Clamp: Brass Ni plated
 - Item ④ Terminal (housing): Thermoplastic (UL94V-0)
 - Item ⑤ Terminal (Cover): Thermoplastic (UL94V-0)
 - Item ⑥ Male contact: PhBz, Tin plated.
 - Item ⑦ Terminal screw: Steel Zinc plating " - " slot type

- Electrical: cULus**
- Voltage rating: 300V
 - Current rating: 12A
 - Wire range:
 - Solid wire(AWG):12-30
 - Stranded wire(AWG):12-30
 - Torque: 5.2 Lb-In.
 - Screw: M3
 - Wire strip length:6-7 mm
 - Withstanding Voltage:1.6KV
 - Operating temperature:-40°C to +115°C

- △ ● Safety Approval:
- Critical dimension:
 - Part No.:

V9 xx 51 x 0 xxxx G

- No. OF POLES: 02: 2 POLES, 03: 3 POLES, ..., 24: 24 POLES
- Color: 0 Black (RAL9005), 5 Green(RAL6018/T), 6 Blue (RAL5015/A), 8 Grey(RAL7035/D), C Green(RAL6018/U)
- G: Pb<40000ppm
- 0000: "@ " Logo (Standard)
- 000A: "ANYTEK" Mark
- Any special item by customer request. please contact sales department.



SECTION P-P

ANYTEK				CUSTOMER COPY			
ALL RIGHTS RESERVED. REPRODUCTION OR ISSUE TO THIRD PARTIES IN ANY FORM WHATSOEVER IS NOT PERMITTED WITHOUT WRITTEN AUTHORITY FROM THE PROPRIETOR. PROPERTY OF ANYTEK TECHNOLOGY CO., LTD							
TITLE		V9 -5.08 mm Series 2P-24P W/O Flange (Bottom cover fixed type)					
PART NO.		V9xx51x0xxxxG			DWG NO.		8V90006
APPROVED		CHECKED	DESIGNED	DRAWN	CUST NO.		Tolerance
			Aaron 2011.07.25	Jacke 2009.10.30			X. ±0.50 X.X ±0.30 X.XX ±0.10 X° ±1°
						UNIT: mm	
						SCALE: NONE	
				SHEET: 01/01		REV.: C	