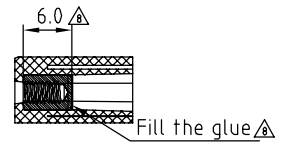


DIMENSION

Dim A	Nx5.08+1.52
Dim B	(N-1)x5.08
Dim C	(N-1)x5.08+10.16
Dim D	Nx5.08+11.32
Dim E	(N-1)x5.08

N= NUMBER OF CONCATS

Poles	Tolerance
2P-6P	±0.20
7P-12P	±0.25
13P-18P	±0.30
19P-24P	±0.40



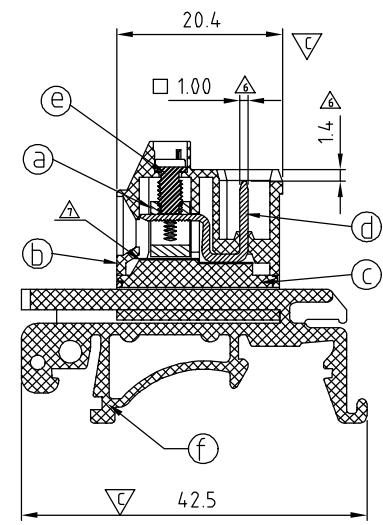
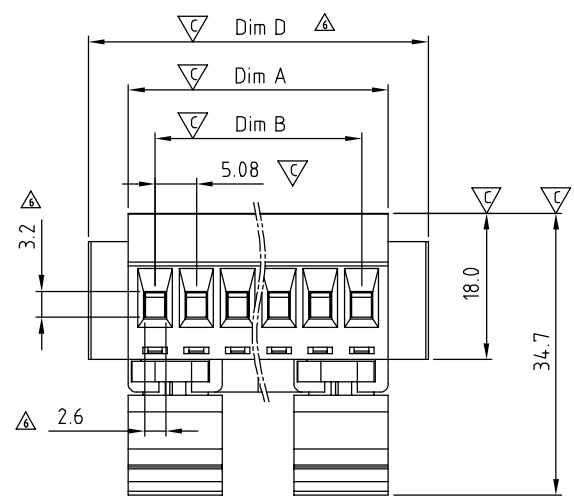
SECTION: L-L

V5 xx 51 x 5 xxxx G

No. OF POLES
 02 2 CONTACTS
 03 3 CONTACTS
 ...
 24 24 CONTACTS

Color
 0 Black (RAL9005)
 5 Green(RAL6018/T)
 6 Blue (RAL5015/A)
 8 Grey(RAL7035/D)
 C Green(RAL6018/U)

G RoHS compliant (lead<4%)
 In copper Alloy
 0000: "@" Logo (Standard)
 000A: "ANYTEK" Mark
 Any special item by customer request.
 please contact sales



SECTION P-P

SIGN	DATE	DESCRIPTION	APPROVER
△	2009.12.29	The design is changed from the round hole to hexagonal hole	Jacke
△	2009.12.29	The current rating and torque(Lb-In) is changed	Jacke
△	2010.10.11	The design is changed	Jacke
△	2011.08.17	Torque(Lb-In) is changed from 5.2(Lb-In) to 4.4(Lb-In)	Aaron
△	2011.08.17	Add is cULus	Aaron
△	2011.08.18	The dimension are added	Aaron
△	2012.02.07	Add the positioning rib on rail slot base to prevent install wrongly.	Aaron
△	2012.04.09	Change the structure of nut and add the glue process	Venter

THIS IS CAD DRAWING, DO NOT REVISE MANUALLY!!!

- Material:
- Item Ⓐ Clamp: Brass, Ni plated
 - Item Ⓑ Terminal(housing): Thermoplastic (UL94V-0)
 - Item Ⓒ Terminal(cover): Thermoplastic (UL94V-0)
 - Item Ⓓ Contact pin : Brass,Tin plated.
 - Item Ⓔ Terminal screw: Steel, Zinc plating solt "-"type M3
 - Item Ⓕ Terminal(track): Thermoplastic (UL94V-0)
 - Item Ⓖ With flange nut: Brass M2.5
- Electrical: cULus
- Voltage rating:300V
 - Current rating: 12A
 - Wire range:
 - Solid wire(AWG):12-30
 - Stranded wire(AWG):12-30
 - Torque(Lb-In): 4.4
 - Screw:M3
 - Wire strip length: 6-7 mm
 - Withstanding Voltage: 1.6KV
 - Operating temperature: -40°C to +115°C
 - Safety Approval: cULus
 - Critical dimension: ▽

<h1>ANYTEK</h1>				<h2>CUSTOMER COPY</h2> <p>ALL RIGHTS RESERVED. REPRODUCTION OR ISSUE TO THIRD PARTIES IN ANY FORM WHATEVER IS NOT PERMITTED WITHOUT WRITTEN AUTHORITY FROM THE PROPRIETOR. PROPERTY OF ANYTEK TECHNOLOGY CO. LTD</p>			
PART NO. V5xx51x5xxxxG			DWG NO. 8V50001				
APPROVED	CHECKED	DESIGNED	DRAWN	CUST NO.	Tolerance		
		Venter 2012.04.09	Venter 2012.04.09		X. ±0.50 X.X ±0.30 X.XX ±0.10 X° ±1°		
SHEET: 01/01				UNIT: mm	SCALE: NONE		
				REV.: G			