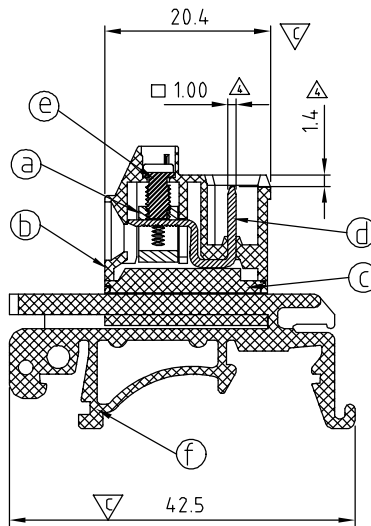
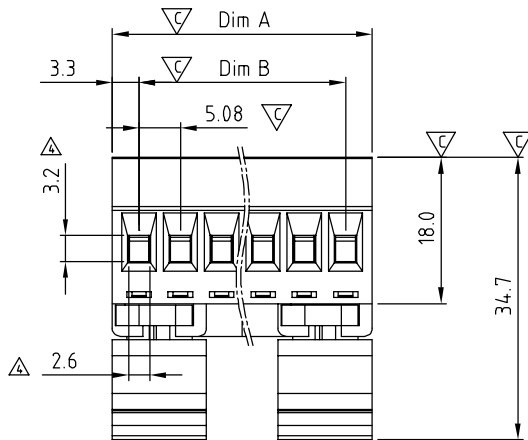


**DIMENSION**

Dim A	$N \times 5.08 + 1.52$
Dim B	$(N-1) \times 5.08$
Dim C	$(N-1) \times 5.08$

N= NUMBER OF CONTACTS

Poles	Tolerance
2P-6P	$\pm 0.20$
7P-12P	$\pm 0.25$
13P-18P	$\pm 0.30$
19P-24P	$\pm 0.40$



SECTION P-P

SIGN	DATE	DESCRIPTION	APPROVER
△	2010.10.11	The design is changed	Jacke
△	2011.08.18	Torque(Lb-In) is changed from 0.6 (Nm.) to 4.4(Lb-In)	Aaron
△	2011.08.18	Add is cULus	Aaron
△	2011.08.18	The dimension are added	Aaron

*THIS IS CAD DRAWING, DO NOT REVISE MANUALLY!!!*

**Material:**

- Item ㉑ Clamp: Brass Ni plated
- Item ㉒ Terminal(housing): Thermoplastic (UL94V-0)
- Item ㉓ Terminal(cover): Thermoplastic (UL94V-0)
- Item ㉔ Contact pin : Brass,Tin plated.
- Item ㉕ Terminal screw: Steel Zinc plating solt "-"type M3
- Item ㉖ Terminal(track): Thermoplastic (UL94V-0)

**Electrical: cULus**

- Voltage rating:300V
- Current rating: 12A
- Wire range:
- Solid wire(AWG):12-30
- Stranded wire(AWG):12-30
- △ ● Torque(Lb-In): 4.4
- Screw:M3
- Wire strip length: 6-7 mm
- Withstanding Voltage: 1.6KV
- Operating temperature: -40°C to +115°C
- △ ● Safety Approval: us
- Critical dimension: ▽

**V5 xx 51 x 4 xxxx G**

No. OF POLES		G: Pb<40000ppm
02 2 CONTACTS		0000: "@" Logo (Standard)
03 3 CONTACTS		000A: "ANYTEK" Mark
...		Any special item by customer request. please contact sales
24 24 CONTACTS		
	Color	
	0 Black (RAL9005)	
	5 Green(RAL6018/T)	
	6 Blue (RAL5015/A)	
	8 Grey(RAL7035/D)	
	C Green(RAL6018/U)	

<h1>ANYTEK</h1>				<h2>CUSTOMER COPY</h2>			
ALL RIGHTS RESERVED. REPRODUCTION OR ISSUE TO THIRD PARTIES IN ANY FORM WHATSOEVER IS NOT PERMITTED WITHOUT WRITTEN AUTHORITY FROM THE PROPRIETOR. PROPERTY OF ANYTEK TECHNOLOGY CO., LTD							
TITLE		V5 - 5.08 Series 2P-24P ( W/o Flange ) Dinrail holder B type					
PART NO.		V5xx51x4xxxxG			DWG NO.		8V50002
APPROVED		CHECKED	DESIGNED	DRAWN	CUST NO.		Tolerance
			Aaron 2011.08.18	Jacke 2009.12.29			X.     ±0.50 X.X   ±0.30 X.XX  ±0.10 X°    ±1°
						UNIT: mm	
						SCALE: NONE	
						SHEET: 01/01	REV.: D