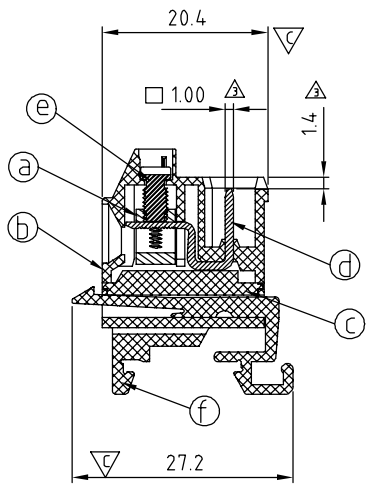
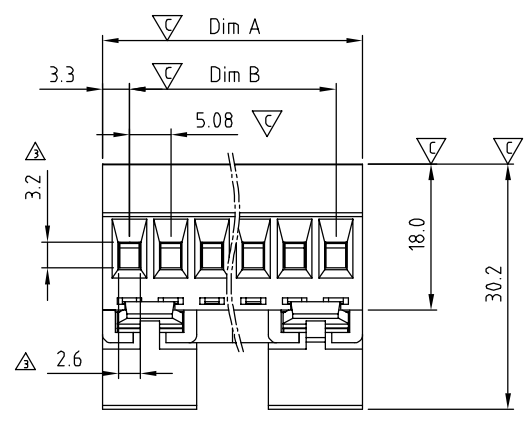


DIMENSION

Dim A	Nx5.08+1.52
Dim B	(N-1)x5.08
Dim C	(N-1)x5.08

N= NUMBER OF CONCATS

Poles	Tolerance
2P-6P	±0.20
7P-12P	±0.25
13P-18P	±0.30
19P-24P	±0.40



SECTION P-P

SIGN	DATE	DESCRIPTION	APPROVER
△	2011.08.18	Torque(Lb-In) is changed from 5.2 (Lb-In) to 4.4(Lb-In)	Aaron
△	2011.08.18	Add is cULus	Aaron
△	2011.08.18	The dimension are added	Aaron

THIS IS CAD DRAWING, DO NOT REVISE MANUALLY!!!

- Material:
- Item Ⓐ Clamp: Brass Ni plated
 - Item Ⓑ Terminal(housing): Thermoplastic (UL94V-0)
 - Item Ⓒ Terminal(cover): Thermoplastic (UL94V-0)
 - Item Ⓓ Contact pin : Brass,Tin plated.
 - Item Ⓔ Terminal screw: Steel Zinc plating solt "-"type M3
 - Item Ⓕ Terminal(track): Thermoplastic (UL94V-0)

- Electrical: cULus
- Voltage rating:300V
 - Current rating: 12A
 - Wire range:
 - Solid wire(AWG):12-30
 - Stranded wire(AWG):12-30
 - △ ● Torque(Lb-In): 4.4
 - Screw:M3
 - Wire strip length: 6-7 mm
 - Withstanding Voltage: 1.6KV
 - Operating temperature: -40°C to +115°C
 - △ ● Safety Approval:
 - Critical dimension: ▽

V5 xx 51 x 2 xxxx G

No. OF POLES		G: Pb<4000ppm
02 2 CONTACTS		0000: "@" Logo (Standard)
03 3 CONTACTS		000A: "ANYTEK" Mark
...		Any special item by customer request. please contact sales
24 24 CONTACTS		
	Color	
	0 Black (RAL9005)	
	5 Green(RAL6018/T)	
	6 Blue (RAL5015/A)	
	8 Grey(RAL7035/D)	
	C Green(RAL6018/U)	

ANYTEK		CUSTOMER COPY	
ALL RIGHTS RESERVED. REPRODUCTION OR ISSUE TO THIRD PARTIES IN ANY FORM WHATSOEVER IS NOT PERMITTED WITHOUT WRITTEN AUTHORITY FROM THE PROPRIETOR. PROPERTY OF ANYTEK TECHNOLOGY CO., LTD			
TITLE	V5 - 5.08 Series 2P-24P (W/o Flange) Dinrail holder A type		
PART NO.	V5xx51x2xxxxG	DWG NO.	8V50003
APPROVED	CHECKED	DESIGNED	DRAWN
		Aaron 2011.08.18	Jacke 2009.12.29
		CUST NO.	
		Tolerance	
		X. ±0.50	
		X.X ±0.30	
		X.XX ±0.10	
		X° ±1°	
		UNIT: mm	
		SCALE: NONE	
		REV.: C	
		SHEET: 01/01	