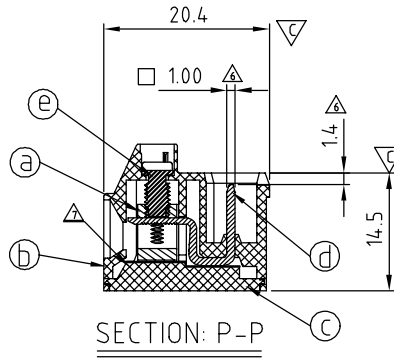
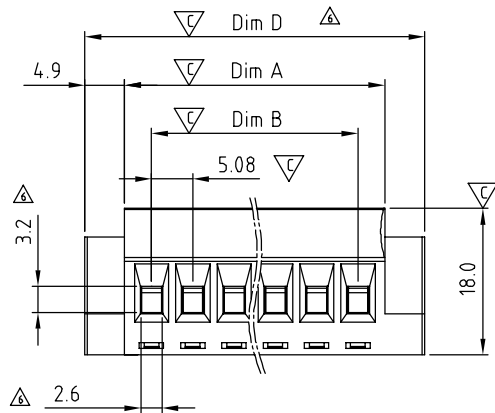


SECTION: P-P



DIMENSION

Dim A	$N \times 5.08 + 1.52$
Dim B	$(N-1) \times 5.08$
Dim C	$(N-1) \times 5.08 + 10.16$
Dim D	$N \times 5.08 + 11.32$
Dim E	$(N-1) \times 5.08$
Dim F	$(N-1) \times 5.08 + 10.8$

N= NUMBER OF CONCATS

Poles	Tolerance
2P-6P	± 0.20
7P-12P	± 0.25
13P-18P	± 0.30
19P-24P	± 0.40

SIGN	DATE	DESCRIPTION	APPROVER
△	2009.12.29	The design is changed from the round hole to hexagonal hole	Jacke
△	2009.12.29	The current rating and torque(Lb-In) is changed	Jacke
△	2010.10.11	The design is changed	Jacke
△	2011.08.18	Torque(Lb-In) is changed from 5.2(Lb-In) to 4.4(Lb-In)	Aaron
△	2011.08.18	Add is cULus	Aaron
△	2011.08.18	The dimension are added	Aaron
△	2012.02.07	Add the positioning rib on rail slot base to prevent install wrongly.	Aaron
△	2012.04.09	Change the structure of nut and add the glue process	Venter

THIS IS CAD DRAWING, DO NOT REVISE MANUALLY!!!

Material:

- Item (a) Clamp: Brass Ni plated
 - Item (b) Terminal(housing): Thermoplastic (UL94V-0)
 - Item (c) Terminal(cover): Thermoplastic (UL94V-0)
 - Item (d) Contact pin : Brass,Tin plated.
 - Item (e) Terminal screw: Steel Zinc plating solt "-"type M3
 - Item (f) With flange nut: Brass M2.5
- Electrical: cULus
- Voltage rating:300V
 - Current rating: 12A
 - Wire range:
 - Solid wire(AWG):12-30
 - Stranded wire(AWG):12-30
 - Torque(Lb-In):4.4
 - Screw:M3
 - Wire strip length: 6-7 mm
 - Withstanding Voltage: 1.6KV
 - Operating temperature: -40°C to +115°C
 - Safety Approval:
 - Critical dimension: ▽

V5 xx 51 x 1 xxxx G

No. OF POLES
02 2 CONTACTS
03 3 CONTACTS
... ..
24 24 CONTACTS

Color
0 Black (RAL9005)
5 Green(RAL6018/T)
6 Blue (RAL5015/A)
8 Grey(RAL7035/D)
C Green(RAL6018/U)

G RoHS compliant (lead<4%)
In copper Alloy
0000: "@" Logo (Standard)
000A: "ANYTEK" Mark
Any special item by
customer request.
please contact sales

ANYTEK				CUSTOMER COPY				
								ALL RIGHTS RESERVED. REPRODUCTION OR ISSUE TO THIRD PARTIES IN ANY FORM WHATSOEVER IS NOT PERMITTED WITHOUT WRITTEN AUTHORITY FROM THE PROPRIETOR. PROPERTY OF ANYTEK TECHNOLOGY CO., LTD
TITLE		V5 - 5.08 Series 2P-24P (With Flange) Bottom cover fixed type						
PART NO.		V5xx51x1xxxxG			DWG NO.		8V50005	
APPROVED	CHECKED	DESIGNED	DRAWN	CUST NO.		Tolerance		
		Venter 2012.04.09	Venter 2012.04.09			UNIT: mm	X. ±0.50	
SHEET: 01/01		REV.: G	X.X ±0.30					
						SCALE: NONE	X.XX ±0.10	
							X° ±1°	