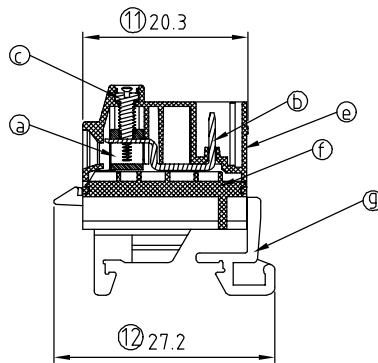
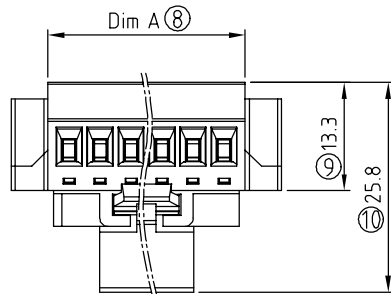


SECTION : P-P



SIGN	DATE	DESCRIPTION	APPROVER
△	2009.11.13	The design is changed from the round hole to hexagonal hole	Jacke
△	2011.02.25	The wire is changed from 14-30(AWG) to 14-28(AWG)	Aaron
△	2011.02.25	Add is cULus	Aaron
△	2012.04.07	Change the structure of nut and add the glue process	Venter
THIS IS CAD DRAWING, DO NOT REVISE MANUALLY!!!			

Material:

- Item a Clamp: Brass Ni plated
- Item b Male contact pin: Brass, Tin plated.
- Item c Terminal screw: Steel Zinc plating
- Item d With flange nut: Brass M2.5
- Item e Terminal housing: Thermoplastic (UL94V-0)
- Item f Terminal cover: Thermoplastic (UL94V-0)
- Item g Terminal(track): Thermoplastic (UL94V-0)

Electrical: cULus

- Voltage rating:300V
- Current rating:8A
- Wire range:
- △ ● Solid wire(AWG):14-28
- △ ● Stranded wire(AWG):14-28
- Torque(Lb-In):2.17
- Screw: M2
- Wire strip length:6 mm
- Withstanding Voltage:1.6KV
- Operating temperature:-40°C to +115°C

- △ ● Safety Approval:

V5 xx 31 x 3 xxxx G

No. OF POLES	Color	G RoHS compliant (lead<4% In copper Alloy
03 3 CONTACTS	0 Black (RAL9005)	0000: "@" Logo (Standard)
04 4 CONTACTS	1 Red (RAL3001/D)	000A: "ANYTEK" Mark
...	2 Orange(RAL2011/P)	Any special item by customer request.
24 24 CONTACTS	3 Yellow(RAL1018/A)	please contact sales department.
	4 Green(RAL6018/T)	
	5 Blue (RAL5015/A)	
	6 Grey(RAL7035/D)	
	7 White(RAL1102)	
	8 Green(RAL6018/U)	

N = Number of poles

Dim A=Nx3.81+1.39

Dim B=(N-1)x3.81

Dim C=Nx3.81+5.19

Dim D=Nx3.81+10.39

	Dim A	Dim B	Dim C	Dim D
2-6p	±0.15	±0.15	±0.15	±0.15
7-12p	±0.20	±0.20	±0.20	±0.20
13-18p	±0.30	±0.30	±0.30	±0.30
19-24p	±0.35	±0.35	±0.35	±0.35

<b>ANYTEK</b>				<b>CUSTOMER COPY</b>			
ALL RIGHTS RESERVED. REPRODUCTION OR ISSUE TO THIRD PARTIES IN ANY FORM WHATSOEVER IS NOT PERMITTED WITHOUT WRITTEN AUTHORITY FROM THE PROPRIETOR. PROPERTY OF ANYTEK TECHNOLOGY CO., LTD							
TITLE		V5 3.81 mm W/ Flange Dinrail holder A type Series					
PART NO.		V5xx31x3xxxxG			DWG NO.		8V50104
APPROVED		CHECKED	DESIGNED	DRAWN	CUST NO.		Tolerance
			Venter 2012.04.07	Venter 2012.04.07			X. ±0.50
							UNIT: mm
					SHEET: 01/01		X.XX ±0.10
					REV.: E		X° ±1°