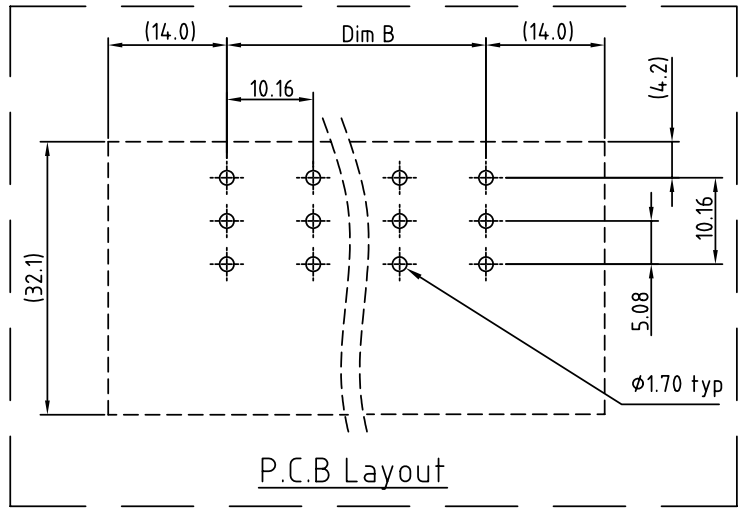
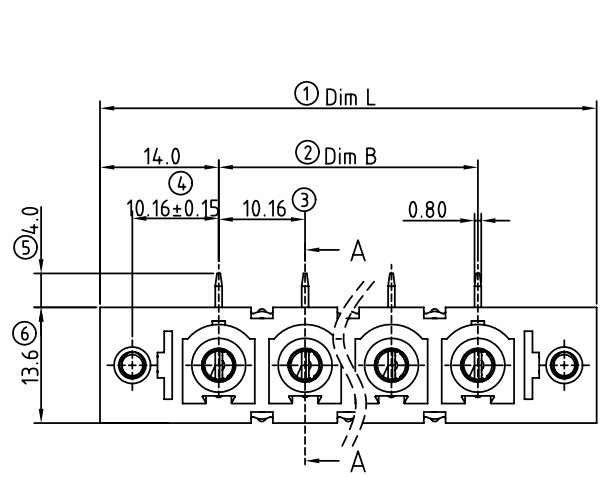


SIGN	DATE	DESCRIPTION	APPROVER
△	2009.07.17	The part No and drawing No are changed	Jacke
△	2010.05.29	Add cULus standard	Jacke

THIS IS CAD DRAWING, DO NOT REVISE MANUALLY!!!

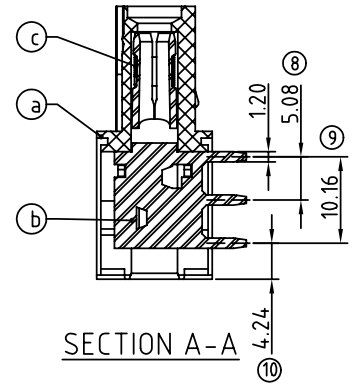
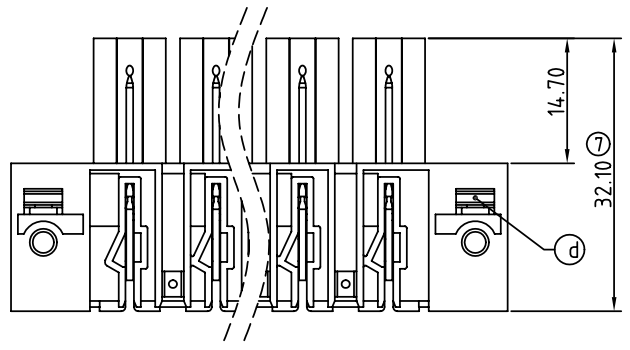


Material:

- Item a Terminal(housing): Thermoplastic (UL 94 - V0)
- Item b Male contact pin: Copper Tin plated
- Item c Wire guard:Stainless Steel
- Item d With flange nut : Steel zinc plated M3

Electrical: cULus / IEC

- Voltage rating:300V / 1000V
- Current rating: 55A / 76A
- Withstanding Voltage: 1.6 KV / 8 KV
- Operating temperature: -40°C to +115°C
- Soldering temperature: 250°C±10°C/5 Sec
- △ ● Safety Approval: cULus



PART NO.

KL xx 62 x 2 xxxx G

- No. OF POLES
- 02 2 CONTACTS
 - 03 3 CONTACTS
 -
 - 12 12 CONTACTS

- Color
- 0 Black (RAL9005)
 - 2 Red (RAL3001/D)
 - 3 Orange(RAL2011/P)
 - 4 Yellow(RAL1018/A)
 - 5 Green(RAL6018/T)
 - 6 Blue (RAL5015/A)
 - 8 Grey(RAL7035/D)

G: Pb<4000ppm
 0000: "@ " Logo (Standard)
 000A: "ANYTEK" Mark
 Any special item by customer request. please contact sales department.

Poles	02	03	04	05	06	07	08	09	10	11	12
Dim L	38.08	48.24	58.40	68.56	78.72	88.88	99.04	109.20	119.36	129.52	139.68
Dim B	10.16	20.32	30.48	40.64	50.80	60.96	71.12	81.28	91.44	101.60	111.76
TOL	±0.25					±0.35					

ANYTEK				CUSTOMER COPY					
ALL RIGHTS RESERVED. REPRODUCTION OR ISSUE TO THIRD PARTIES IN ANY FORM WHATSOEVER IS NOT PERMITTED WITHOUT WRITTEN AUTHORITY FROM THE PROPRIETOR. PROPERTY OF ANYTEK TECHNOLOGY CO., LTD									
TITLE		KL10.16 Series 2p-12p Right -Angle W/F ange (up)				PART NO.		8KL0005 △	
PART NO.		KLxx62x2xxxxG △				APPROVED		CHECKED	
DESIGNED		DRAWN		CUST NO.		Tolerance			
Jacke		Jacke		UNIT: mm		X.		±0.50	
2010.05.29		2009.07.10		SCALE: NONE		X.X		±0.30	
SHEET: 01/01		REV.: D		X.XX		X°		±1°	