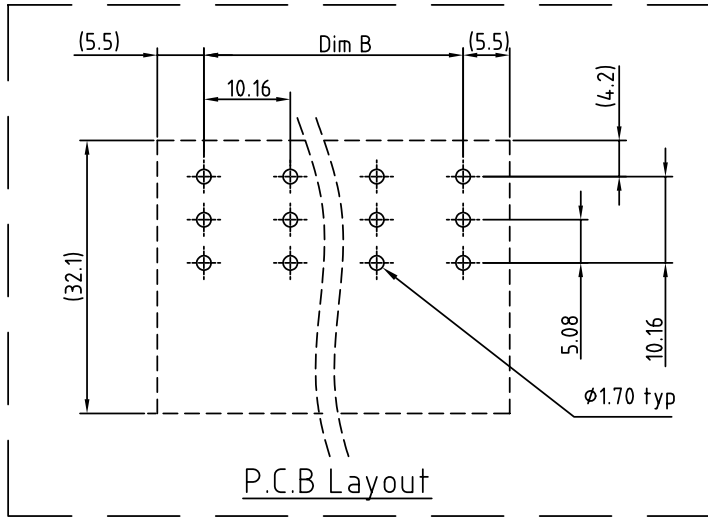
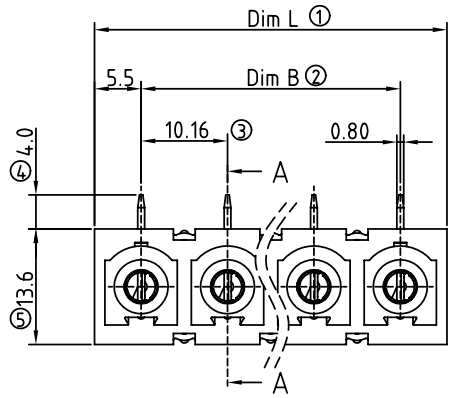


SIGN	DATE	DESCRIPTION	APPROVER
△	2010.05.29	Add cULus standard	Jacke
THIS IS CAD DRAWING, DO NOT REVISE MANUALLY!!!			

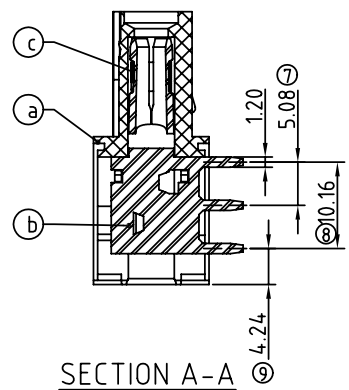
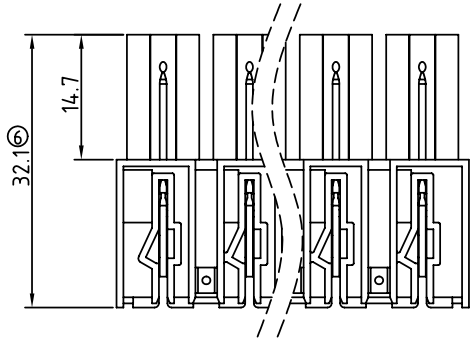


Material:

- Item a Terminal(housing): Thermoplastic (UL 94 - V0)
- Item b Male contact pin: Copper Tin plated
- Item c Wire guard:Stainless Steel

Electrical: cULus / IEC

- Voltage rating:300V / 1000V
- Current rating:55A / 76A
- Withstanding Voltage:1.6 KV / 8 KV
- Operating temperature:-40°C to +115°C
- Soldering temperature:250°C±10°C/5 Sec
- △ ● Safety Approval: cULus



PART NO.

KL xx 61 x 2 xxxx G

- No. OF POLES
- 02 2 CONTACTS
 - 03 3 CONTACTS
 -
 - 12 12 CONTACTS

Color

- 0 Black (RAL9005)
- 2 Red (RAL3001/D)
- 3 Orange(RAL2011/P)
- 4 Yellow(RAL1018/A)
- 5 Green(RAL6018/T)
- 6 Blue (RAL5015/A)
- 8 Grey(RAL7035/D)

G: Pb<40000ppm
 0000: "@ " Logo (Standard)
 000A: "ANYTEK" Mark
 Any special item by customer request. please contact sales department.

Poles	02	03	04	05	06	07	08	09	10	11	12
Dim L	21.12	31.28	41.44	51.60	61.76	71.92	82.08	92.24	102.40	112.56	122.72
Dim B	10.16	20.32	30.48	40.64	50.80	60.96	71.12	81.28	91.44	101.60	111.76
TOL	±0.25					±0.35					

ANYTEK

CUSTOMER COPY

ALL RIGHTS RESERVED. REPRODUCTION OR ISSUE TO THIRD PARTIES IN ANY FORM WHATSOEVER IS NOT PERMITTED WITHOUT WRITTEN AUTHORITY FROM THE PROPRIETOR. PROPERTY OF ANYTEK TECHNOLOGY CO., LTD

TITLE		KL 10.16 Series 2p-12p Right -Angle (up)			
PART NO.		KLxx61x2xxxxG		DWG NO. 8KL0002	
APPROVED	CHECKED	DESIGNED	DRAWN	CUST NO.	
		Jacke 2010.05.29	Jacke 2009.07.10		
				Tolerance	
				UNIT: mm	
				SCALE: NONE	
				X. ±0.50	
				X.X ±0.30	
				X.XX ±0.10	
				X° ±1°	
				SHEET: 01/01	
				REV.: C	