


SIGN	DATE	DESCRIPTION	APPROVER
△	2009.09.07	The design is changed	Jacke
△	2009.09.07	The electrical is changed	Jacke
△	2010.03.31	Add the 2p mark	Jacke

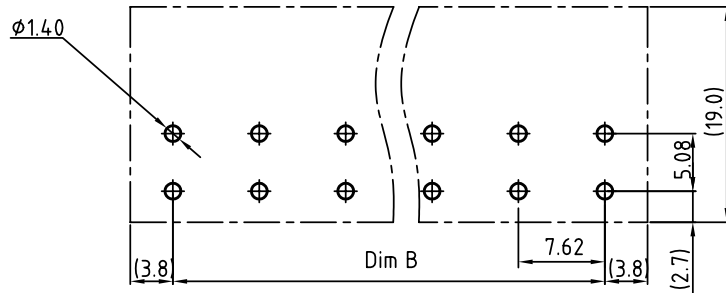
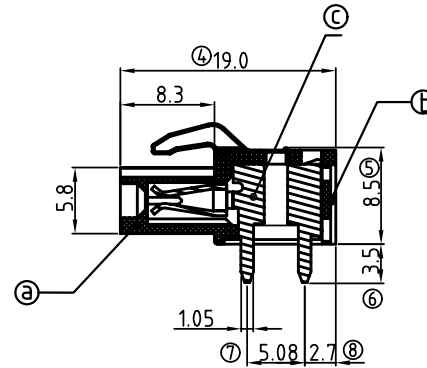
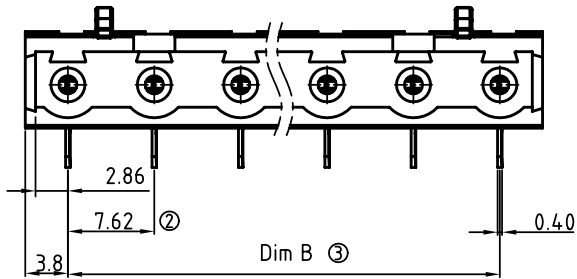
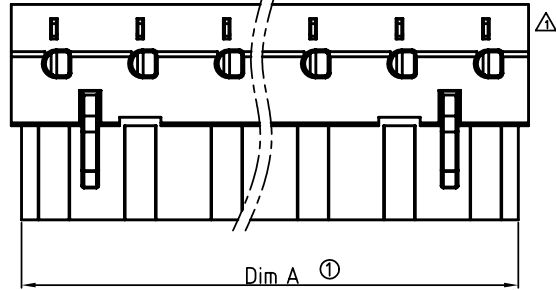
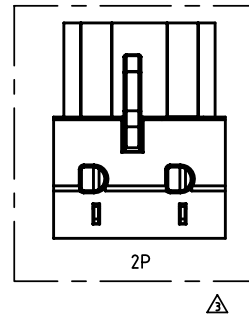
THIS IS CAD DRAWING, DO NOT REVISE MANUALLY!!!

Materials

Item a	Terminal body	Thermoplastic (UL94V-0)
Item b	Terminal Cover	Thermoplastic (UL94V-0)
Item c	Female contact	PhBz(CuSn), Tin plated

△ Electrical

- Voltage rating: 300VAC
- Current rating: 20A
- Withstanding Voltage: 1.6kv
- Operating temperature: -40°C to +115°C
- Soldering temperature: 250°C±10°C/5 Sec
- Safety Approval:  us



PCB LAYOUT

V7 xx 0 1 x 1 xxxx G

No. OF POLES		G: Pb<40000ppm
02 2 CONTACTS		0000: "@" Logo (Standard)
03 3 CONTACTS	Color	000A: "ANYTEK" Mark
...	0 Black (RAL9005)	Any special item by customer request.
16 16 CONTACTS	2 Red (RAL3001/D)	please contact sales department.
	3 Orange(RAL2011/P)	
	4 Yellow(RAL1018/A)	
	5 Green(RAL6018/T)	
	6 Blue (RAL5015/A)	
	8 Grey(RAL7035/D)	

ANYTEK

INSPECTION COPY

ALL RIGHTS RESERVED. REPRODUCTION OR ISSUE TO THIRD PARTIES IN ANY FORM WHATSOEVER IS NOT PERMITTED WITHOUT WRITTEN AUTHORITY FROM THE PROPRIETOR. PROPERTY OF ANYTEK TECHNOLOGY CO., LTD

TITLE		V7 7.62 W/O flange Series Right-angle (2P~16P)			
PART NO.		V7xx01x1xxxxG		DWG NO. 8V70502	
APPROVED	CHECKED	DESIGNED	DRAWN	CUST NO.	
		Jacke	Jacke		
		2010.03.31	2009.09.07		
				Tolerance	
				X. ±0.5	
				X.X ±0.3	
				X.XX ±0.1	
				X° ±1°	
				UNIT: mm	
				SCALE: 1/4	
				SHEET: 01/01	
				REV.: D	

POLE	2	3	4	5	6	7	8	9	10	11	12	13	14	15	16
B	7.62	15.24	22.86	30.48	38.1	45.72	53.34	60.96	68.58	76.2	83.82	91.44	99.06	106.68	114.3
A	13.34	20.96	28.58	36.2	43.82	51.44	59.06	66.68	74.3	81.92	89.54	97.16	104.78	112.4	120.02
Tol.	±0.15					±0.20					±0.30				