

SIGN	DATE	DESCRIPTION	APPROVER
△	2010.01.25	Add cULus standard	Jacke
△	2010.01.25	The design is changed	Jacke
△	2010.03.31	Add the 2p mark	Jacke

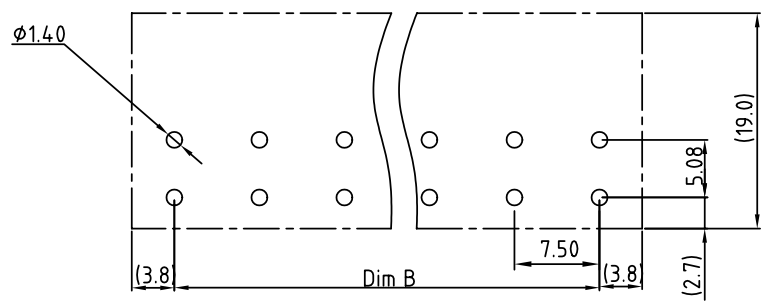
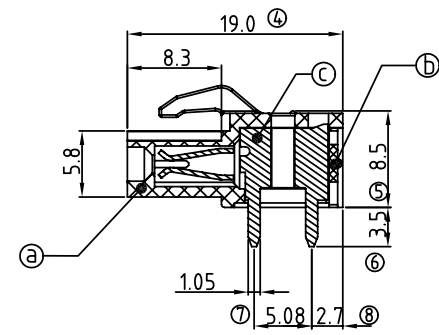
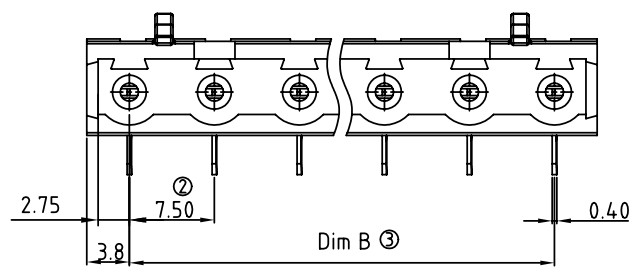
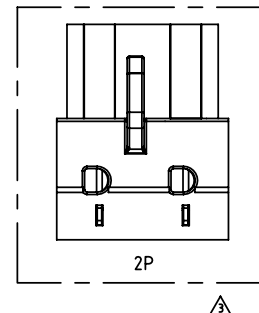
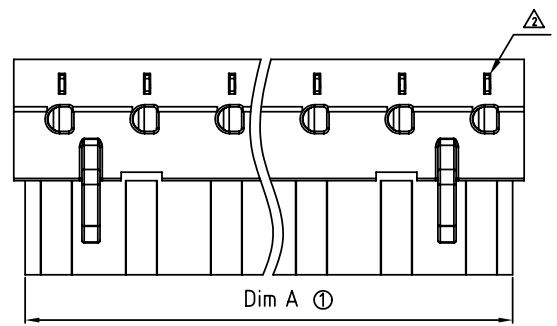
*THIS IS CAD DRAWING, DO NOT REVISE MANUALLY!!!*

**Materials**

- Item a Terminal body: Thermoplastic (UL94V-0)
- Item b Terminal Cover: Thermoplastic (UL94V-0)
- Item c Female contact :PhBz(CuSn), Tin plated

**Electrical**

- Voltage rating: 300VAC
- Current rating: 10A
- Withstanding Voltage: 1.6kv
- Operating temperature: -40°C to +115°C
- Soldering temperature: 250°C±10°C/5 Sec
- △ ● Safety Approval: us



PCB LAYOUT

V7 xx A 1 x 1 xxxx G

- No. OF POLES
  - 02 2 CONTACTS
  - 03 3 CONTACTS
  - ... ..
  - 16 16 CONTACTS
- Color
  - 0 Black (RAL9005)
  - 2 Red (RAL3001/D)
  - 3 Orange(RAL2011/P)
  - 4 Yellow(RAL1018/A)
  - 5 Green(RAL6018/T)
  - 6 Blue (RAL5015/A)
  - 8 Grey(RAL7035/D)
- G: Pb<40000ppm
- 0000: "@" Logo (Standard)
- 000A: "ANYTEK" Mark
- Any special item by customer request. please contact sales department.

<h1>ANYTEK</h1>				<h2>INSPECTION COPY</h2>				
ALL RIGHTS RESERVED. REPRODUCTION OR ISSUE TO THIRD PARTIES IN ANY FORM WHATSOEVER IS NOT PERMITTED WITHOUT WRITTEN AUTHORITY FROM THE PROPRIETOR. PROPERTY OF ANYTEK TECHNOLOGY CO., LTD								
TITLE		V7 7.5 Series Right-angle (2P~16P)				DWG NO.		8V704.02
PART NO.		V7xxA1x1xxxxG				APPROVED		CHECKED
		DESIGNED		DRAWN		CUST NO.		Tolerance
		Jacke		Jacke				X. ±0.5
		2010.03.31		2010.01.26				X.X ±0.3
						SHEET: 01/01		X.XX ±0.1
						REV.: D		X° ±1°

Poles	02	03	04	05	06	07	08	09	10	11	12	13	14	15	16	
Dim A	13.0	20.5	28.0	35.5	43.0	50.5	58.0	65.5	73.0	80.5	88.0	95.5	103.0	110.5	118.0	
Dim B	7.5	15.0	22.5	30.0	37.5	45.0	52.5	60.0	67.5	75.0	82.5	90.0	97.5	105.0	112.5	
TOL	±0.15				±0.25				±0.35							