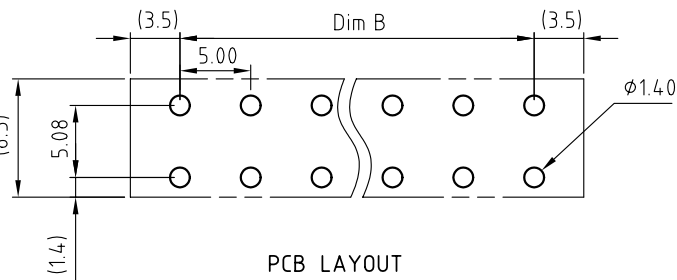
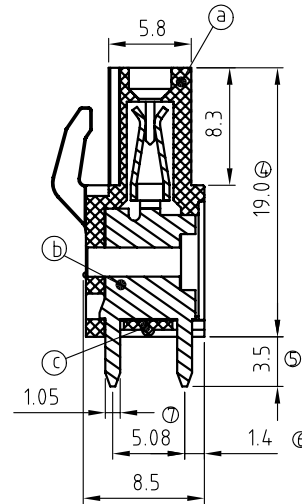
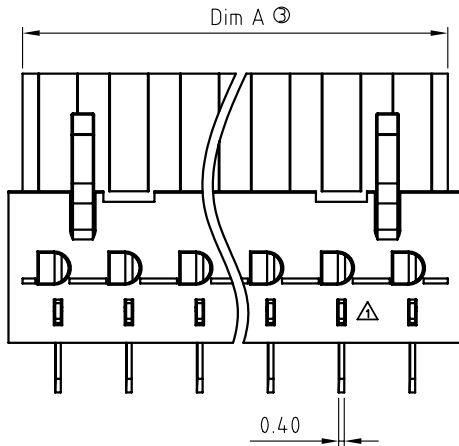
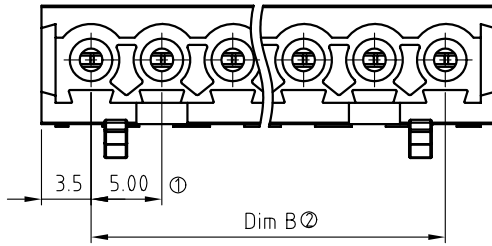
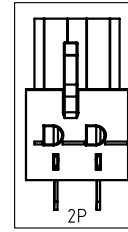


SIGN	DATE	DESCRIPTION	APPROVER
△	04.20'09	The design is changed	Jacke
△	04.20'09	The operating temperature is changed	Jacke
△	2010.01.12	Add cULus standard	Jacke
△	2010.03.31	Add the 2p mark	Jacke

THIS IS CAD DRAWING, DO NOT REVISE MANUALLY!!!



Materials

- Item a Terminal body:Thermoplastic (UL94V-0)
- Item b Female contact:PhBz(CuSn), Tin plated
- Item c Terminal cover:Thermoplastic (UL94V-0)

Electrical cULus

- Voltage rating: 300VAC
- Current rating: 10A
- Withstanding Voltage: 1.6kv
- △ ● Operating temperature: -40°C to +115°C
- Soldering temperature: 250°C±10°C/5 Sec
- △ ● Safety Approval: cULus

V7 xx 7 1 x 0 xxxx G

- No. OF POLES
- 02 2 CONTACTS
 - 03 3 CONTACTS
 -
 - 24 24 CONTACTS

Color

- 0 Black (RAL9005)
- 2 Red (RAL3001/D)
- 3 Orange(RAL2011/P)
- 4 Yellow(RAL1018/A)
- 5 Green(RAL6018/T)
- 6 Blue (RAL5015/A)
- 8 Grey(RAL7035/D)

G: Pb<40000ppm

0000: "@ " Logo (Standard)
 000A: "ANYTEK" Mark
 Any special item by customer request. please contact sales department.

Poles	02	03	04	05	06	07	08	09	10	11	12	13
Dim A	10	15	20	25	30	35	40	45	50	55	60	65
Dim B	5	10	15	20	25	30	35	40	45	50	55	60
TOL	±0.10				±0.15				±0.20			
Poles	14	15	16	17	18	19	20	21	22	23	24	
Dim A	70	75	80	85	90	95	100	105	110	115	120	
Dim B	65	70	75	80	85	90	95	100	105	110	115	
TOL	±0.20			±0.25			±0.30					

ANYTEK

INSPECTION COPY

ALL RIGHTS RESERVED. REPRODUCTION OR ISSUE TO THIRD PARTIES IN ANY FORM WHATSOEVER IS NOT PERMITTED WITHOUT WRITTEN AUTHORITY FROM THE PROPRIETOR. PROPERTY OF ANYTEK TECHNOLOGY CO., LTD

TITLE				V7 5.0 Series Vertical			
PART NO.		V7xx71x0xxxxG		DWG NO.		8V70202	
APPROVED	CHECKED	DESIGNED	DRAWN	CUST NO.		Tolerance	
		Jacke	Jacke			UNIT: mm	
		2010.03.31	2010.01.12			SCALE: NONE	
				SHEET: 01/01		REV.: E	
						X. ±0.5	
						X.X ±0.3	
						X.XX ±0.1	
						X° ±1°	