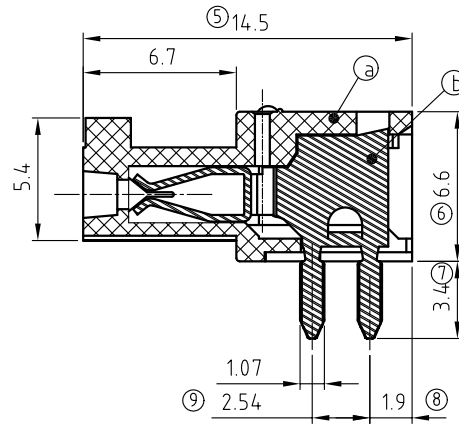
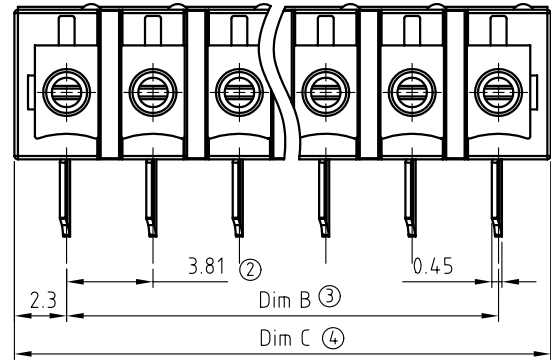
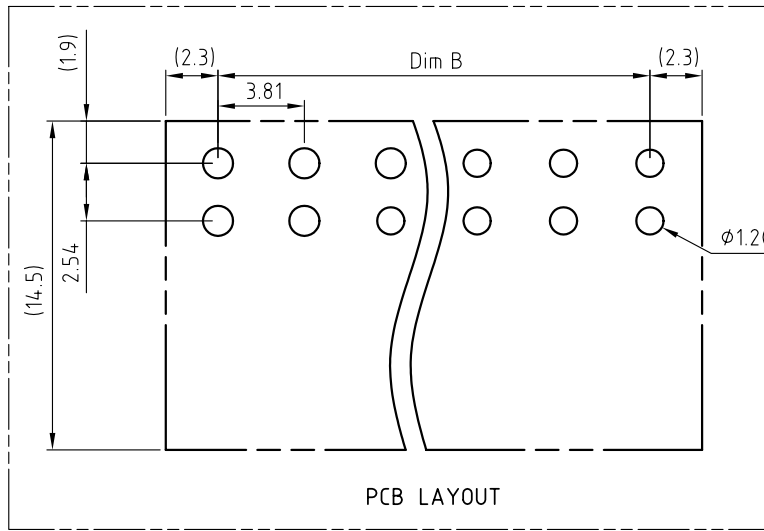


2P to 6P with wedge,
above 7P without wedge.



SIGN	DATE	DESCRIPTION	APPROVER
△	2010.01.12	Add cULus standard	Jacke

THIS IS CAD DRAWING, DO NOT REVISE MANUALLY!!!

Materials

- Item a Terminal body:Thermoplastic (UL94V-0)
- Item b Female contact:PhBz(CuSn),Tin plated

Electrical

- Voltage rating: 300V AC
- Current rating: 8A
- Withstanding Voltage: 1.6kv
- Operating temperature: -40°C to +115°C
- Soldering temperature: 250°C±10°C/5 Sec
- △ ● Safety Approval:

V7 xx 3 1 x 1 xxxx G

- No. OF POLES
- 02 2 CONTACTS
 - 03 3 CONTACTS
 -
 - 24 24 CONTACTS

Color

- 0 Black (RAL9005)
- 2 Red (RAL3001/D)
- 3 Orange(RAL2011/P)
- 4 Yellow(RAL1018/A)
- 5 Green(RAL6018/T)
- 6 Blue (RAL5015/A)
- 8 Grey(RAL7035/D)

G: Pb<4000ppm

0000: "@" Logo (Standard)
000A: "ANYTEK" Mark
Any special item by customer request.
please contact sales department.

Poles	02	03	04	05	06	07	08	09	10	11	12	13
Dim A	6.61	10.42	14.23	18.04	21.85	25.66	29.47	33.28	37.09	40.9	44.71	48.52
Dim B	3.81	7.62	11.43	15.24	19.05	22.86	26.67	30.48	34.29	38.1	41.91	45.72
Dim C	8.41	12.22	16.03	19.84	23.65	27.46	31.27	35.08	38.89	42.7	46.51	50.32
TOL	±0.10				±0.15				±0.20			
Poles	14	15	16	17	18	19	20	21	22	23	24	
Dim A	52.33	56.14	59.95	63.76	67.57	71.38	75.19	79.0	82.81	86.62	90.43	
Dim B	49.53	53.34	57.15	60.96	64.77	68.58	72.39	76.2	80.01	83.82	87.63	
Dim C	54.13	57.94	61.75	65.56	69.37	73.18	76.99	80.8	84.61	88.42	92.23	
TOL	±0.20				±0.25				±0.30			

ANYTEK				INSPECTION COPY			
ALL RIGHTS RESERVED. REPRODUCTION OR ISSUE TO THIRD PARTIES IN ANY FORM WHATSOEVER IS NOT PERMITTED WITHOUT WRITTEN AUTHORITY FROM THE PROPRIETOR. PROPERTY OF ANYTEK TECHNOLOGY CO., LTD							
TITLE		V7 3.81 Series Right angle					
PART NO.		V7xx31x1xxxxG			DWG NO.		8V70101
APPROVED		CHECKED	DESIGNED	DRAWN	CUST NO.		Tolerance
			Jacke	Jacke			X. ±0.5
			2010.01.14	2010.01.14			X.X ±0.3
					UNIT: mm		X.XX ±0.1
					SCALE: NONE		X° ±1°
				SHEET: 01/01	REV.: C		