
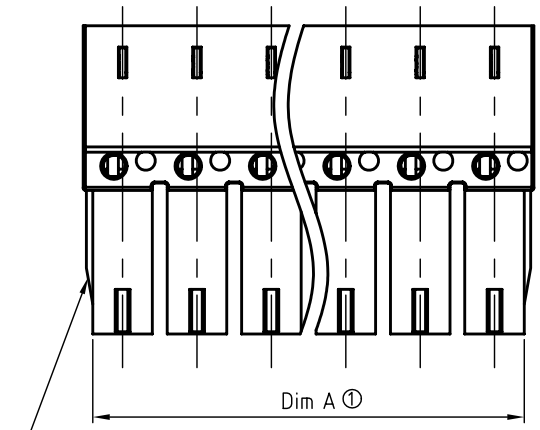
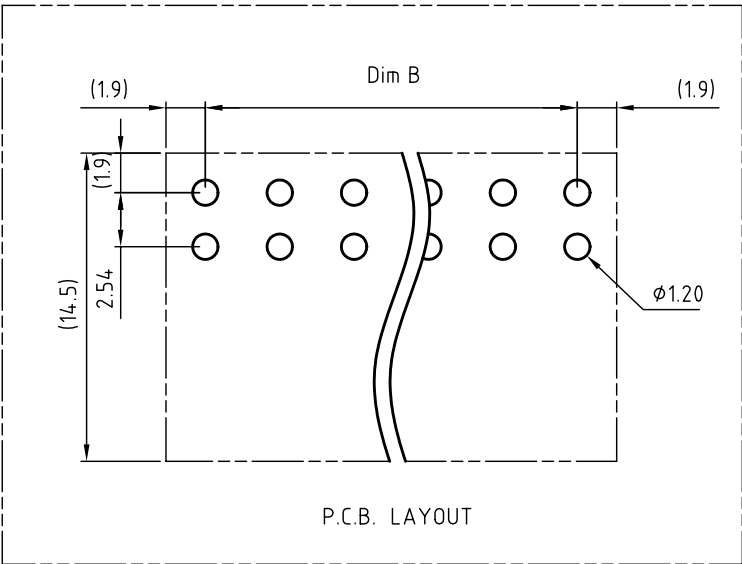


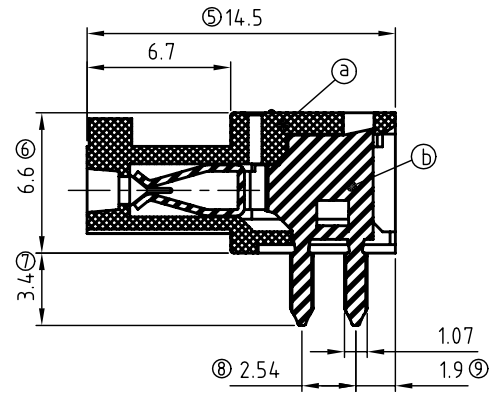
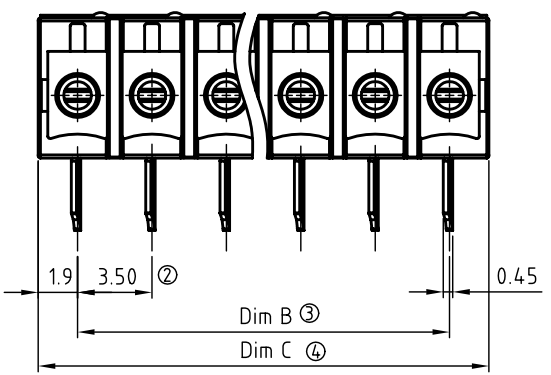
SIGN	DATE	DESCRIPTION	APPROVER
△	2010.01.12	Add cULus standard	Jacke
THIS IS CAD DRAWING, DO NOT REVISE MANUALLY!!!			

Materials
 Item a Terminal body:Thermoplastic (UL94V-0)
 Item b Female contact:PhBz(CuSn),Tin plated

- Electrical
- Voltage rating: 300V AC
 - Current rating: 8A
 - Withstanding Voltage: 1.6kv
 - Operating temperature: -40°C to +115°C
 - Soldering temperature: 250°C±10°C/5 Sec
 - △ ● Safety Approval: 



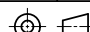
2P to 6P with wedge,
above 7P without wedge.



V7 xx 1 1 x 1 xxxx G

- No. OF POLES
 02 2 CONTACTS
 03 3 CONTACTS
 ...
 24 24 CONTACTS
- Color
 0 Black (RAL9005)
 2 Red (RAL3001/D)
 3 Orange(RAL2011/P)
 4 Yellow(RAL1018/A)
 5 Green(RAL6018/T)
 6 Blue (RAL5015/A)
 8 Grey(RAL7035/D)
- G: Pb<4000ppm
 0000: "@ Logo (Standard)
 000A: "ANYTEK" Mark
 Any special item by customer request. please contact sales department.

Poles	02	03	04	05	06	07	08	09	10	11	12	13
Dim A	6.3	9.8	13.3	16.8	20.3	23.8	27.3	30.8	34.3	37.8	41.3	44.8
Dim B	3.5	7.0	10.5	14.0	17.5	21.0	24.5	28.0	31.5	35.0	38.5	42.0
Dim C	7.2	10.7	14.2	17.7	21.2	24.7	28.2	31.7	35.2	38.7	42.2	45.7
TOL	±0.10				±0.15				±0.20			
Poles	14	15	16	17	18	19	20	21	22	23	24	
Dim A	48.3	51.8	55.3	58.8	62.3	65.8	69.3	72.8	76.3	79.8	83.3	
Dim B	45.5	49.0	52.5	56.0	59.5	63.0	66.5	70.0	73.5	77.0	80.5	
Dim C	49.2	52.7	56.2	59.7	63.2	66.7	70.2	73.7	77.2	80.7	84.2	
TOL	±0.20				±0.25				±0.30			

ANYTEK				INSPECTION COPY				
ALL RIGHTS RESERVED. REPRODUCTION OR ISSUE TO THIRD PARTIES IN ANY FORM WHATSOEVER IS NOT PERMITTED WITHOUT WRITTEN AUTHORITY FROM THE PROPRIETOR. PROPERTY OF ANYTEK TECHNOLOGY CO., LTD								
TITLE		V7 3.5mm series Right angle 2p-24p				DWG NO.		8V70002
PART NO.		V7xx11x1xxxxG				APPROVED		CHECKED
DESIGNED		DRAWN		CUST NO.		Tolerance		
Jacke		Jacke				UNIT: mm		
2010.01.14		2010.01.14				SCALE: NONE		
SHEET: 01/01		REV.: C		X.		±0.5		
				X.X		±0.3		
				X.XX		±0.1		
				X°		±1°		