


SIGN	DATE	DESCRIPTION	APPROVER
▲	2010.01.12	Add cULus standard	Jacke
▲	2013.08.10	change the dimension from 0.93 to 1.07	Chen Bo
▲	2013.08.10	update the drawing	Chen Bo

THIS IS CAD DRAWING, DO NOT REVISE MANUALLY!!!

Materials

- Item a Terminal body:Thermoplastic (UL94V-0)
- Item b Female contact:PhBz(CuSn),Tin plated

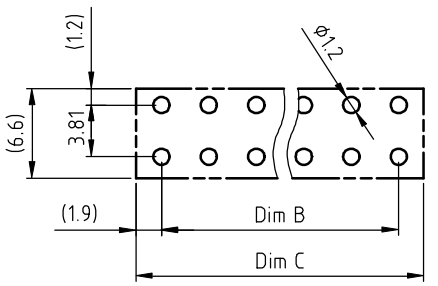
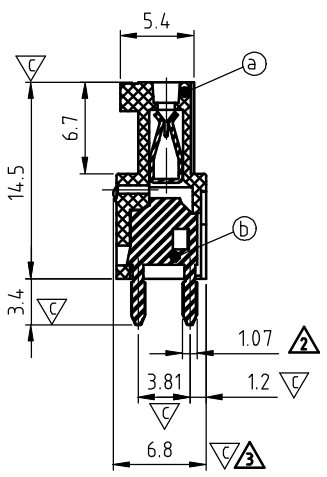
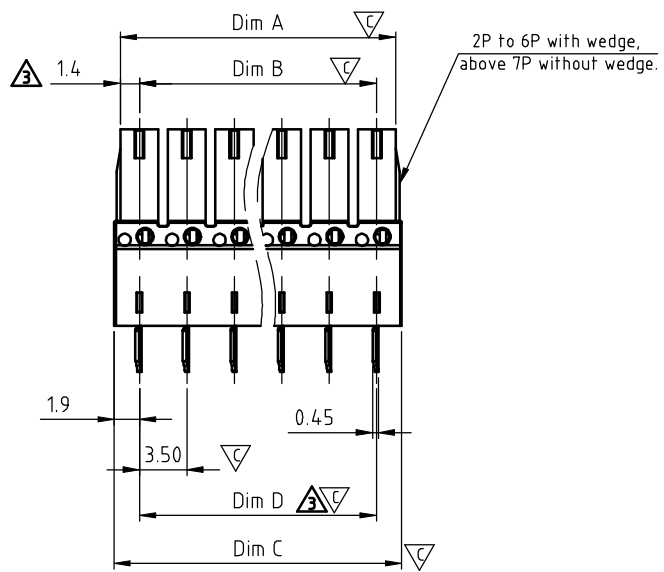
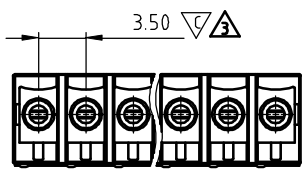
Electrical

- Voltage rating: 300VAC
- Current rating: 8A
- Withstanding Voltage: 1.6kv
- Operating temperature: -40°C to +115°C
- ▲ ● Soldering temperature: 260°C±5°C/5 Sec
- ▲ ● Safety Approval: 
- Critical dimension: ∇

V7 xx 1 1 x 0 xxxx G

- No. OF POLES
- 02 2 CONTACTS
- 03 3 CONTACTS
-
- 24 24 CONTACTS

- 0 Black (RAL9005)
 - 2 Red (RAL3001/D)
 - 3 Orange(RAL2011/P)
 - 4 Yellow(RAL1018/A)
 - 5 Green(RAL6018/T)
 - 6 Blue (RAL5015/A)
 - 8 Grey(RAL7035/D)
 - 9 White(RAL1102)
 - C Green(RAL6018/U)
- G RoHS compliant (lead<4%) In copper Alloy**
- 0000: "@" Logo (Standard)
- 000A: "ANYTEK" Mark
- Any special item by customer request. please contact sales department.



P.C.B. LAYOUT

N = Number of poles
 Dim A=(N-1)x3.5+2.8
 Dim B=(N-1)x3.5
 Dim C=(N-1)x3.5+3.7
 Dim D=(N-1)x3.5

	Dim A	Dim B	Dim C	Dim D
2-5p	±0.10	±0.10	±0.10	±0.10
6-10p	±0.15	±0.15	±0.15	±0.15
11-15p	±0.20	±0.20	±0.20	±0.20
16-20p	±0.25	±0.25	±0.25	±0.25
21-24p	±0.30	±0.30	±0.30	±0.30

ANYTEK				INSPECTION COPY			
ALL RIGHTS RESERVED. REPRODUCTION OR ISSUE TO THIRD PARTIES IN ANY FORM WHATSOEVER IS NOT PERMITTED WITHOUT WRITTEN AUTHORITY FROM THE PROPRIETOR. PROPERTY OF ANYTEK TECHNOLOGY CO., LTD							
TITLE		V7 3.5mm series Vertical					
PART NO.		V7xx11x0xxxxG			DWG NO.		8V70001
APPROVED		DESIGNED	DRAWN	CUST NO.		Tolerance	
		Chen Bo 08/10`13	Chen Bo 08/08`13			X. ±0.5 X.X ±0.3 X.XX ±0.1 X° ±1°	
				SHEET: 01/01		UNIT: mm SCALE: NONE REV.: D	