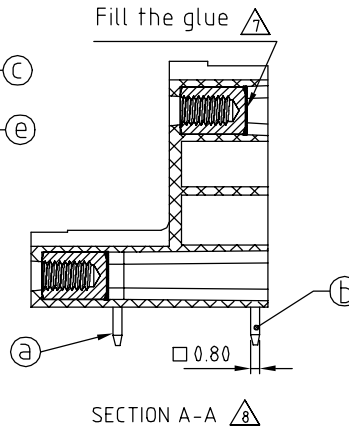
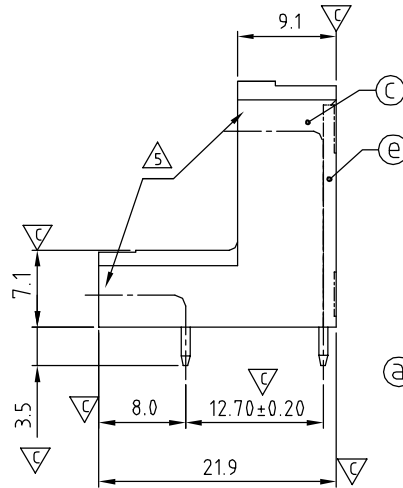


RECOMMENDED PCB LAYOUT



VO xx 3 2 x 1 xxxx G

No. OF POLES  
04: 2x2 POLES  
48: 2x24 POLES

Color  
0 Black (RAL9005)  
2 Red (RAL3001/D)  
3 Orange(RAL2011/P)  
4 Yellow(RAL1018/A)  
5 Green(RAL6018/T)  
6 Blue (RAL5015/A)  
8 Grey(RAL7035/D)  
9 White(RAL1102)  
C Green(RAL6018/U)

G: RoHS compliant (lead<4%) In copper Alloy  
0000: "@ Logo (Standard)  
000A: "ANYTEK" Mark  
Any special item by customer request. please contact sales department.

SIGN	DATE	DESCRIPTION	APPROVER
△	1/30'07	Soldering temperature changed from 245° to 250°	Tony
△	04/08'09	The current rating and operating temperature are changed	Jacke
△	04/08'09	Add UL standard	Jacke
△	2009.10.10	The design is changed from the round hole to hexagonal hole.	Jacke
△	07/05'11	Remove the "T" shape	Aaron
△	04/26'12	The Dimension Dim C is added	Chen Bo
△	04/26'12	Flange nut is changed	Chen Bo
△	04/26'12	Add the cutaway view	Chen Bo
△	04/26'12	The dimension is changed from 4.5 to 4.50	Chen Bo
△	04/26'12	The material is changed from Brass to Copper	Chen Bo

THIS IS CAD DRAWING, DO NOT REVISE MANUALLY!!!

Material:

- Item ③ Short contact pin: Copper, Tin plated
- Item ⑥ Long contact pin: Copper, Tin plated
- Item ② Terminal(housing): Thermoplastic (UL94V-0)
- Item ④ With flange nut: Brass ,M2.5
- Item ⑤ Terminal(cover): Thermoplastic (UL94V-0)

Electrical: cULus

- Voltage rating: 300V
- Current rating: 10A
- Withstanding Voltage: 1.6 KV
- Operating temperature: -40°C to +115°C
- Soldering temperature: 250°C±10°C/5 Sec
- Safety Approval: cULus
- Critical dimension: ∇

Poles	Dim L	Dim B	Dim C	Dim D
2x2-2x5p	±0.15	±0.15	±0.15	±0.15
2x6-2x10p	±0.20	±0.20	±0.20	±0.20
2x11-2x15p	±0.25	±0.25	±0.25	±0.25
2x16-2x20p	±0.30	±0.30	±0.30	±0.30
2x21-2x24p	±0.35	±0.35	±0.35	±0.35

N = Number of poles  
Dim L=(N-1)x3.81+14.2  
Dim B=(N-1)x3.81  
Dim C=(N-1)x3.81+9.0  
Dim D=(N-1)x3.81

<b>ANYTEK</b>				<b>CUSTOMER COPY</b>			
TITLE		VO-3.81 Series 2x2P-2x24P Right angle (With flange)					
PART NO.		V0xx32x1xxxxG		DWG NO.		8V00103	
APPROVED		CHECKED		DESIGNED		DRAWN	
		Chen Bo 04/26'12		Chen Bo 04/26'12			
				CUST NO.		Tolerance	
				UNIT: mm		X. ±0.50	
				SCALE: NONE		X.X ±0.30	
				SHEET: 01/01		X.XX ±0.10	
				REV.: H		X° ±1°	