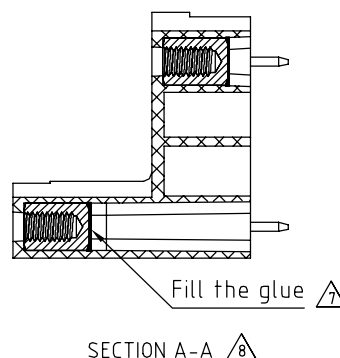


RECOMMENDED PCB LAYOUT



Poles	Dim L	Dim B	Dim C
2x2-2x5p	±0.15	±0.15	±0.15
2x6-2x10p	±0.20	±0.20	±0.20
2x11-2x15p	±0.25	±0.25	±0.25
2x16-2x20p	±0.30	±0.30	±0.30
2x21-2x24p	±0.35	±0.35	±0.35

N = Number of poles
 Dim L=(N-1)×3.81+14.2
 Dim B=(N-1)×3.81
 Dim C=(N-1)×3.81+9.0

SIGN	DATE	DESCRIPTION	APPROVER
△	1/30'07	Soldering temperature changed from 245° to 250°	Tony
△	04/08'09	The current rating and operating temperature are changed	Jacke
△	04/08'09	Add UL standard	Jacke
△	2009.10.10	The design is changed from the round hole to hexagonal hole.	Jacke
△	07/05'11	Remove the "T" shape	Aaron
△	04/26'12	The Dimension Dim C is added	Chen Bo
△	04/26'12	Flange nut is changed	Chen Bo
△	04/26'12	Add the cutaway view	Chen Bo
△	04/26'12	The material is changed from Brass to Copper	Chen Bo
△	11/20'12	update the drawing	Chen Bo

THIS IS CAD DRAWING, DO NOT REVISE MANUALLY!!!

Material:

- Item ① Male Contact pin: Copper, Tin plated
- Item ② Terminal (housing): Thermoplastic (UL94V-0)
- Item ③ Terminal (cover): Thermoplastic (UL94V-0)
- Item ④ With flange nut: Brass M2.5

Electrical: cULus

- Voltage rating: 300V
- Current rating: 10A
- Withstanding Voltage: 1.6 KV
- Operating temperature: -40°C to +115°C
- Soldering temperature: 260°C±5°C/5 Sec
- Safety Approval:
- Critical dimension:

VO xx 3 2 x 0 xxxx G

No. OF POLES

- 04: 2x2 POLES
- :
- :
- 48: 2x24 POLES

Color

- 0 Black (RAL9005)
- 2 Red (RAL3001/D)
- 3 Orange(RAL2011/P)
- 4 Yellow(RAL1018/A)
- 5 Green(RAL6018/T)
- 6 Blue (RAL5015/A)
- 8 Grey(RAL7035/D)
- 9 White(RAL1102)
- C Green(RAL6018/U)

G: RoHS compliant (lead<4%)
In copper Alloy

0000: "@ " Logo (Standard)
000A: "ANYTEK" Mark
Any special item by customer request, please contact sales department.

ANYTEK

CUSTOMER COPY

ALL RIGHTS RESERVED. REPRODUCTION OR ISSUE TO THIRD PARTIES IN ANY FORM WHATSOEVER IS NOT PERMITTED WITHOUT WRITTEN AUTHORITY FROM THE PROPRIETOR. PROPERTY OF ANYTEK TECHNOLOGY CO., LTD

TITLE		VO-3.81 Series 2x2P-2x24P Vertical (With flange)		DWG NO.		8V00104	
PART NO.		V0xx32x0xxxxG		DWG NO.		8V00104	
APPROVED	CHECKED	DESIGNED	DRAWN	CUST NO.		Tolerance	
		Chen Bo 11/20'12	Chen Bo 04/26'12			X. ±0.50	
				SHEET: 01/01		X.X ±0.30	
						X.XX ±0.10	
						X° ±1°	